



Mobile Work- Stations

Medical technology
Automotive
Mobile Office
19" Technology
Mobile Equipment
Trolley
Measurement/Analysis
Station
Mobile PC
Research
Lab Technology
Workshop Assistant
Transport



knürr
environments for electronics

Mobile Workstations

Applications
Capabilities 2

Metramobil
Strong points 8
Basic configurations 9
Modules 11

Dacomobile
Strong points 14
Basic configurations 15
Basic frame 18
Modules 19

Elimobil
Strong points 23
Basic frame 24
Basic configurations 25
Modules 29

Accessories
Compatible with Metramobil 32
Dacomobil and Elimobil Compatible with Dacomobil and Elimobil 34

Servomobil
Strong points 36
Basic configuration 37

Mobility in practice

Applications and Capabilities

New workstation concepts, production procedures, services and support services are increasingly being determined according to the, "Flexibility through mobility of tools and instruments in use" guideline. Nowhere is this more evident than in the field of diagnostics and therapy in the medical world.

But it is also more efficient in the automotive industry to drive the highly-valuable diagnostics equipment to the vehicle than the other way around.

And what's really appealing! For each application, we design individual workstations, which are ergonomically, technically and optically refined for special working situations.



MOB20028



MOB20030



BIL20003



MOB20026



MOB20032



MOB20022



MOB20031



MOB20018

From the very beginning

Project Planning

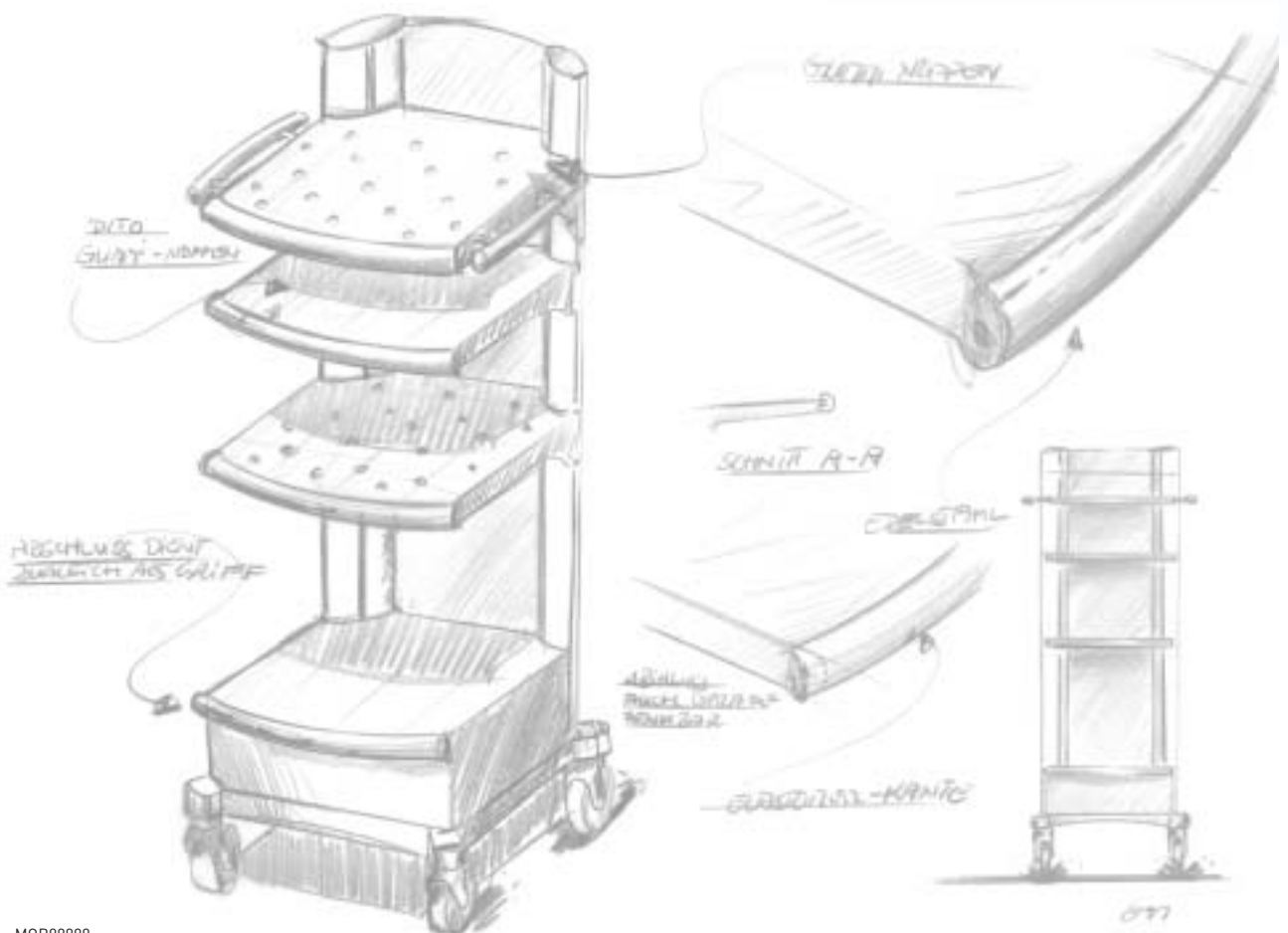
If a new workstation solution is to be realised from the starting point, the first thing to be focussed on is the detail-exact project planning. With the integration of numerous factors - from the creation of a list of functional specifications, the budgeting and deadline planning, through to special design specifications and technical integration, right on through to the compliance with standards and guidelines - our competent product experts put themselves to the task of working on your requirements.

During the initial stage of the project, all important questions are discussed and the relevant data is gathered together, evaluated and compiled in a transparent offer. Now we have a common basis for the individual product production!

Nr.	Vorgangname	Dauer	Anfang	Ende
1	Testmodell	4h	Mo 14.07.99	Mo 08.09.99
2	Prototyp-Entstehung	1h	Mo 14.07.99	Mo 14.07.99
3	Techn. Freigabe	1h	Don 19.07.99	Don 19.07.99
4	Angebotüberarbeitung	4h	Fre 18.07.99	Mo 21.07.99
5	Entwurf-Skizzen	1h	Mo 21.07.99	Mo 21.07.99
6	CAD Erstellung	4h	Di 27.07.99	Fre 30.07.99
7	Teil-Bedingung	1h	Fre 23.07.99	Fre 23.07.99
8	Festlegung Verpack.	10h	Don 15.07.99	Mo 28.07.99
9	Stückliste anlegen	3h	Mo 28.07.99	Fre 30.07.99
10	Bestellte einkaufen	17h	Mon 02.08.99	Di 24.08.99
11	Qualitätsbewertung	1h	Mo 25.08.99	Mo 25.08.99
12	Montage, erste 50 St.	5.5h	Don 26.08.99	Don 02.09.99
13	Verpackung	4h	Fre 03.09.99	Mo 08.09.99

Projekt: Arbeitstisch für Drehtisch
 Datum: Di 23.08.99

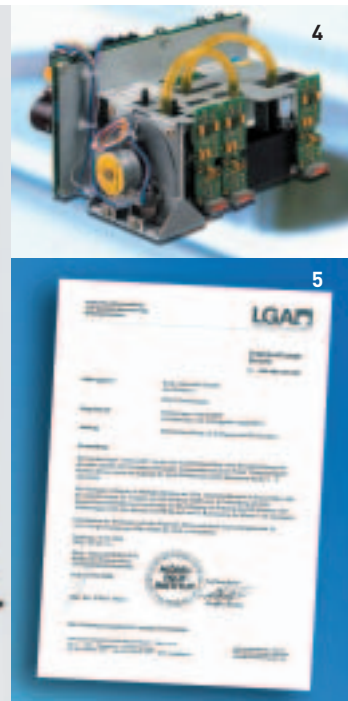
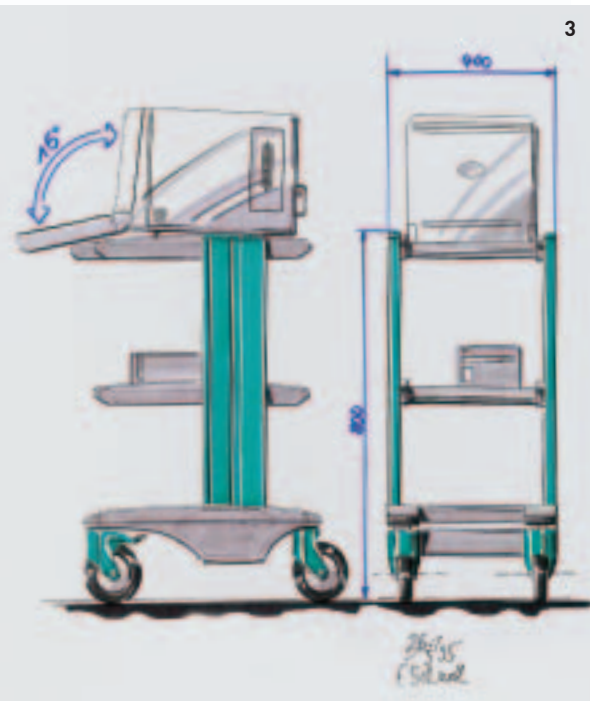
Vorgang
 Kritischer Vorgang
 In Arbeit



MOB88888



MOB20017



- 1 Working out the list of specifications
Budgeting and time planning
- 2 All the necessary certifications guaranteed
- 3 Development studies of a mobile workstation
- 4 Integration of customer components
- 5 Clean room certificate and GS seal of approval



Design and function

Design

Using the most modern CAD applications, we design your products, which set new standards in terms of technology and aesthetics. On the basis of the project planned details, 3-D views, design studies and volume models emerge, which represent the most realistic state of development progress and enable modifications in line with your wishes at absolutely any time.

Your company-own corporate design is also integrated with our proposals for materials and colour. Ultimately we ensure a smooth technical and technological integration while complying with UL, CSA, VDE or TÜV/GS standards. Only when these stages have been fully completed, can the first prototype be produced.



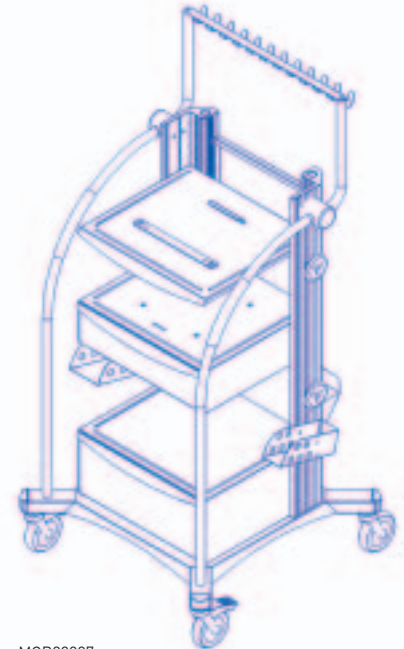
MOB20020

Exemplary results

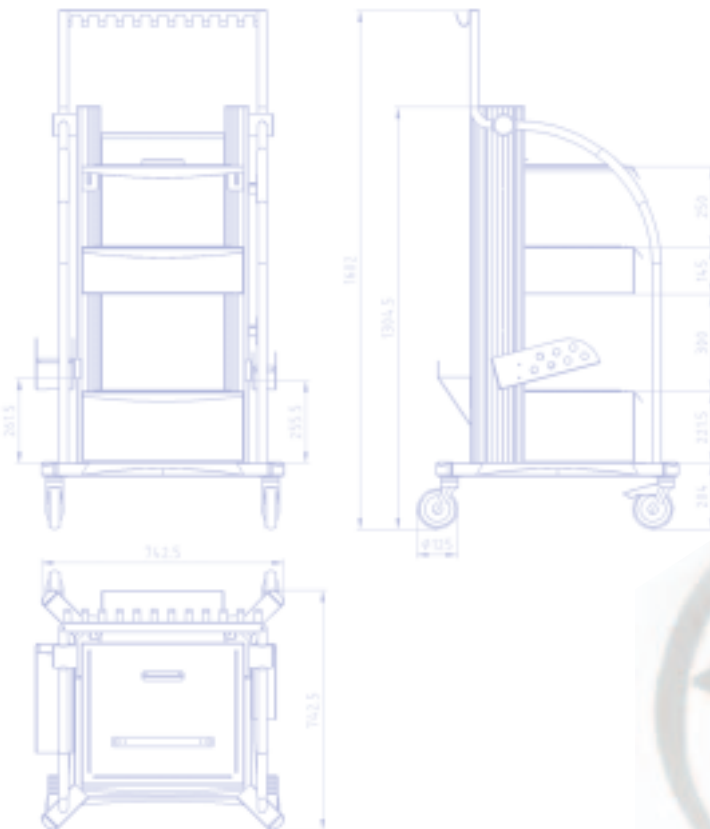
Project Work

Depending on the complexity of the task at hand, we put together a professional team of specialists from the most varied of disciplines. Our project manager undertakes the **project planning** in accordance with your individual requirements profile. During the **product design** phase, industrial designers and technicians work together to harmonise form and function.

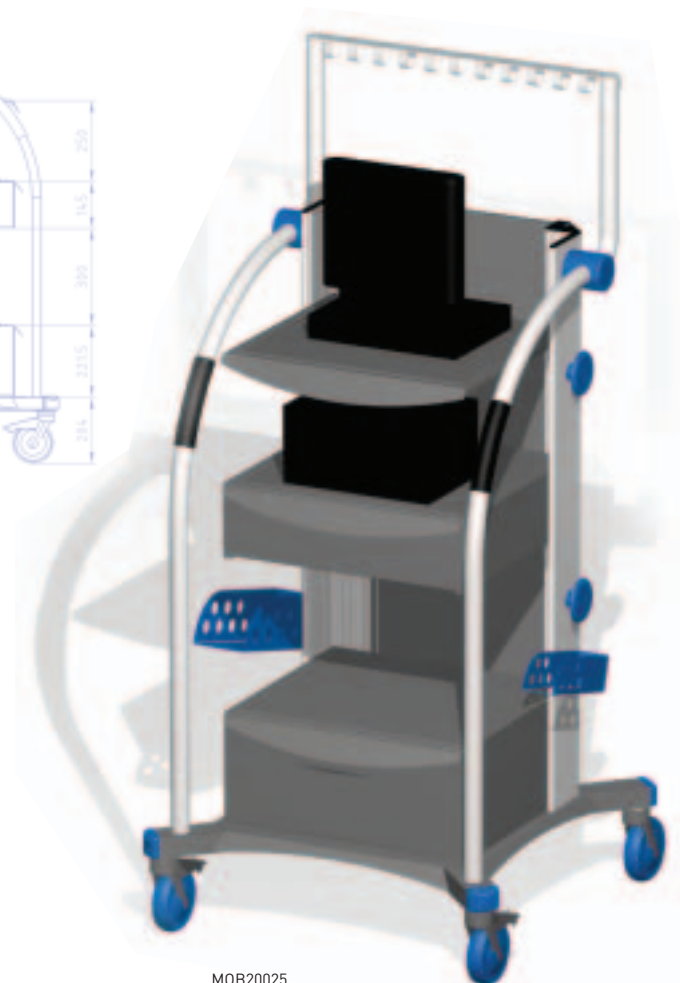
The **prototyping** is firmly in the hands of experts who are hard at work on the requirements provided by you the customer. And in the **production** phase, our employees guarantee the best product available with their long years of experience in supply chain management, production and quality assurance.



MOB20027



MOB20027



MOB20025

metramobil Strong points in detail



MET00003



MOB20039



MET00034



MET00037

■ Variability

- A completely individual mobile trolley can be put together from a basic trolley in 2 heights, 3 colours and 5 module components.
- Ideal height adjustment with variable height setting of the shelves

■ Stability

- High load rating:
up to 600 N per worktop
up to 2200 N for full trolley
- High stability with advanced sheet steel construction

■ Functionality

- Suitable for the most varied areas of application: e.g. receiving goods, picking up goods, PC or printer station

■ Cable management

- Safe cable routing with two cable ducts integrated in the extrusion
- Clear and orderly cable management with integration of accessory parts, e.g. a socket strip, which can be mounted on the extrusion.

■ Well-thought out solutions

- Vision and contact protection provided by the easy "on-off" rear panel, no tools needed
- Orderly arrangement of small material with drawer module with removeable small parts tray
- Smooth running 3/4 pull-out "Quattro" guide



MET00018



MET00014

Metramobil Basic Configurations

Replace "X" with the number of your colour choice.

- **Final digit of order number .1:**
Worktops, RAL 7035, light-grey
Extrusions, RAL 9006, white aluminium
Handle, RAL 9011, graphite black
- **Final digit of order number .2:**
Worktops, NCS 3060 R80B, blue
Extrusions, RAL 9006, white aluminium
Handle, RAL 9011, graphite black
- **Final digit of order number .9:**
Worktops, RAL 7016, anthracite grey
Extrusions, RAL 9006, white aluminium
Handle, RAL 9011, graphite black

- **ESD versions:**
Note: ESD only in colour variants .1 (light-grey) and .9 (anthracite grey)
- **Final digit of order number .1:**
Worktops, RAL 7035, anti-static, light-grey
Extrusions, RAL 9006, white aluminium
Handle, RAL 9011, anti-static, graphite black
- **Final digit of order number .9:**
Worktops, RAL 7016, anti-static, anthracite grey
Extrusions, RAL 9006, white aluminium
Handle, RAL 9011, anti-static, graphite black

- Design your individual trolley as follows:
 1. Select height of the basic trolley
 2. Select ESD or standard model
 3. Pick out additional modules

- The basic model can be easily expanded with system components (bear ESD in mind!)

- Worktops: variable height adjustable

- **Dimensions**
Height, 900 mm or 1120 mm
Full width, 550 mm
Useful width, 500 mm
Depth, 580 mm
Useful depth, 440 mm
Castor Ø 125 mm

- **Load rating**
Basic rack: 2200 N
Per castor: 750 N
Surface load per worktop: 600 N

- **Material/Finish**
Basic rack consists of:
 - Extrusions: extruded aluminium, powder-coated
 - Worktops: sheet steel, powder-coat textured
 Handle: aluminium tube, powder-coat textured

- **Supply schedule**
1 Basic rack
1 Worktop with handle
1 Worktop at height 900 mm
2 Worktops at height 1120 mm

- **How supplied**
Pre-assembled modules

W	w	H	D	d	ESD	Model	Order no.	UP
550	500	900	580	440			00.709.000.x	
550	500	900	580	440	●		00.709.100.x	
550	500	1120	580	440			00.711.000.x	
550	500	1120	580	440	●		00.711.100.x	



MET00058

Metramobil 900

Replace "X" with the number of your colour choice.

- **Final digit of order number .1:**
Worktops, RAL 7035, light-grey
Extrusions, RAL 9006, white aluminium
Handle, RAL 9011, graphite black
- **Final digit of order number .2:**
Worktops, NCS 3060 R80B, blue
Extrusions, RAL 9006, white aluminium
Handle, RAL 9011, graphite black
- **Final digit of order number .9:**
Worktops, RAL 7016, anthracite grey
Extrusions, RAL 9006, white aluminium
Handle, RAL 9011, graphite black

■ Worktops: variable height adjustable

■ Castor: Ø 125 mm

■ **Load rating**
Basic rack: 2200 N
Per castor: 750 N
Surface load per worktop: 600 N

- **Material/Finish**
Basic rack consists of:
- Extrusions: extruded aluminium, powder-coated
- Worktops: sheet steel, powder-coat textured
Handle: aluminium tube, powder-coat textured
- **Supply schedule**
1 Basic rack
1 Worktop with handle
1 Worktop
1 Keyboard extension with mouse table

■ **How supplied**
Pre-assembled modules

W	w	H	D	d	ESD	Model	Order no.	UP
550	500	900	580	440			00.709.002.x	



MET00060

Metramobil 1120

Replace "X" with the number of your colour choice.

- **Final digit of order number .1:**
Worktops, RAL 7035, light-grey
Extrusions, RAL 9006, white aluminium
Handle, RAL 9011, graphite black
- **Final digit of order number .2:**
Worktops, NCS 3060 R80B, blue
Extrusions, RAL 9006, white aluminium
Handle, RAL 9011, graphite black
- **Final digit of order number .9:**
Worktops, RAL 7016, anthracite grey
Extrusions, RAL 9006, white aluminium
Handle, RAL 9011, graphite black

■ Worktops: variable height adjustable

■ Castor: Ø 125 mm

■ **Load rating**
Basic rack: 2200 N
Per castor: 750 N
Surface load per worktop: 600 N

- **Material/Finish**
Basic rack consists of:
- Extrusions: extruded aluminium, powder-coated
- Worktops: sheet steel, powder-coat textured
Handle: aluminium tube, powder-coat textured
- **Supply schedule**
1 Basic rack
1 Worktop with handle
2 Worktops
1 Keyboard extension with mouse table

■ **How supplied**
Pre-assembled modules

W	w	H	D	d	ESD	Model	Order no.	UP
550	500	1120	580	440			00.711.002.x	

Dimensions in mm: W = width, H = height, D = depth, 1 mm = 0.03937 inch, CRS = Cable routing set, ESD = ESD version
HU / U = Standard height units (Unit), UP = Unit of packaging, kg = weight, OU = Office unit
LD = Linking dimension

Replace .x with the number of the colour combination
.1 = RAL 7035
.2 = NCS 3060
.9 = similar RAL 7016



MET00014

Metramobil Worktop

Replace "X" with the number of your colour choice.

Standard versions:

- **Final digit of order number .1:**
RAL 7035 light-grey
- **Final digit of order number .2:**
NCS 3060 R80B, blue
- **Final digit of order number .9:**
RAL 7016 anthracite grey
- **ESD version:**
Note: ESD only in colour variants .1 (light-grey) and .9 (anthracite grey)
- **Final digit of order number .1:**
RAL 7035 anti-static, light-grey
- **Final digit of order number .9:**
RAL 7016 anti-static, anthracite grey

- For storage and work purposes
- Variable setting between the vertical extrusions

ESD model in accordance with EN 100015

- **Supply schedule**
1 Worktop
Mounting material
- **How supplied**
Flat-packed kit

W	H	D	ESD	Model	Order no.	UP
500	25	440			00.701.020.x	1 unit
500	25	440	●		00.701.120.x	1 unit
500	25	440		with handle	00.701.021.x	1 unit
500	25	440	●	with handle	00.701.121.x	1 unit



MET00040

Metramobil Anti-Slide Mat Set

Note:
Anti-slide mats are not possible at the same time with keyboard extension!

- Consists of 4 anti-slide mats
- For slide-proof storage of parts to be transported
- As scratch protection for the worktop
- **Material**
Industrial rubber, self-adhesive
- **Colour**
Black
- **Supply schedule**
4 Anti-slide mats
- **How supplied**
Flat-packed kit

ESD model

- Consists of 4 anti-slide mats, anti-static, self-adhesive
- **Tests**
ESD test in accordance with EN 100015
- **Material**
Industrial rubber, anti-static
- **Colour**
Black

W	H	D	ESD	Model	Order no.	UP
					00.701.070.9	1 set
			●		00.701.170.9	1 set



MET00035

Metramobil Keyboard Extension

Replace "X" with the number of your colour choice.
Standard versions:

- **Final digit of order number .1:**
RAL 7035 light-grey
- **Final digit of order number .2:**
NCS 3060 R80B, blue
- **Final digit of order number .9:**
RAL 7016 anthracite grey

- **ESD versions:**
Note: ESD only in colour variants .1 (light-grey) and .9 (anthracite grey)
- **Final digit of order number .1:**
RAL 7035 anti-static, light-grey
- **Final digit of order number .9:**
RAL 7016 anti-static, anthracite grey

- For mounting under Metramobil worktop and worktop with handle
- With side mouse table, left/right
- Push out by 200 mm

ESD model in accordance with EN 100015

- **Supply schedule**
1 Keyboard extension
Mounting material
- **How supplied**
Flat-packed kit
- **Note**
With worktop with keyboard extension, an anti-slide mat is not possible!

W	H	D	ESD	Model	Order no.	UP
					00.701.060.x	1 unit
			●		00.701.160.x	1 unit



MET00017

Metramobil Drawer Module

Replace "X" with the number of your colour choice.
Standard versions:

- **Final digit of order number .1:**
RAL 7035 light-grey
- **Final digit of order number .2:**
NCS 3060 R80B, blue
- **Final digit of order number .9:**
RAL 7016 anthracite grey

- **ESD versions:**
Note: ESD only in colour variants .1 (light-grey) and .9 (anthracite grey)
- **Final digit of order number .1:**
RAL 7035 anti-static, light-grey
- **Final digit of order number .9:**
RAL 7016 anti-static, anthracite grey

- For holding small material
- Including divider set
- **Material/Finish**
Sheet steel, powder-coat textured

ESD model in accordance with EN 100015

- **Supply schedule**
1 Drawer module
Mounting material
- **How supplied**
Flat-packed kit

W	H	D	ESD	Model	Order no.	UP
500	165	440			00.701.001.x	1 unit
500	165	440	●		00.701.101.x	1 unit

Dimensions in mm: W = width, H = height, D = depth, 1 mm = 0.03937 inch, CRS = Cable routing set, ESD = ESD version
HU / U = Standard height units (Unit), UP = Unit of packaging, kg = weight, OU = Office unit
LD = Linking dimension

Replace .x with the number of the colour combination
.1 = RAL 7035
.2 = NCS 3060
.9 = similar RAL 7016



MET00033

Metramobil Rear Panel

Replace "X" with the number of your colour choice.

Standard versions:

- **Final digit of order number .1:**
RAL 7035 light-grey
- **Final digit of order number .2:**
NCS 3060 R80B, blue
- **Final digit of order number .9:**
RAL 7016 anthracite grey

- **ESD versions:**
Note: ESD only in colour variants .1 (light-grey) and .9 (anthracite grey)
- **Final digit of order number .1:**
RAL 7035 anti-static, light-grey
- **Final digit of order number .9:**
RAL 7016 anti-static, anthracite grey

- Privacy assured
- Contact protection
- With cable entry
- ESD model in accordance with EN 100015
- **Material/Finish**
Sheet steel, powder-coat textured
- **Supply schedule**
1 Rear panel
Mounting material
- **How supplied**
Flat-packed kit

W	H	D	ESD	Model	Order no.	UP
	900				00.701.010.x	1 unit
	1120				00.701.011.x	1 unit
	900		●		00.701.110.x	1 unit
	1120		●		00.701.111.x	1 unit



MET00037

Metramobil Cable Management Set

- Consists of:
 - Di-Strip socket strip, 4-way, without switch
 - Strain relief
 - Two cable reel elements

- **Supply schedule**
1 Cable management set
Mounting material
- **How supplied**
Flat-packed kit

W	H	D	ESD	Model	Order no.	UP
					00.701.050.1	1 unit



MET00021

Metramobile Castor Set

- Load rating, 750 N per castor, Ø 125 mm
- **Colour**
RAL 9011, graphite black

- **Supply schedule**
2 Smooth-running castors

W	H	D	ESD	Model	Order no.	UP
				Standard	00.701.960.9	1 unit
				with snib	00.701.961.9	1 unit

Dimensions in mm: W = width, H = height, D = depth, 1 mm = 0.03937 inch, CRS = Cable routing set, ESD = ESD version
 HU / U = Standard height units (Unit), UP = Unit of packaging, kg = weight, OU = Office unit
 LD = Linking dimension

Replace .x with the number of the colour combination
 .1 = RAL 7035
 .2 = NCS 3060
 .9 = similar RAL 7016

dacomobile Strong points in detail



MOB00274



MOB00273



MOB00266



MOB00272



MOB00323



MOB00271

Stability

- Total load rating of up to 2100 N
- Worktops each with up to 800 N load rating
- High stability with low-lying centre of gravity
- Torsional strength with stable aluminium extrusions on die-cast aluminium stabilizers and crosspiece of sheet steel
- Optimal stability for equipment set up in the trolley with raised edges all around the worktop

Convenience

- Optimisation of operation with additional module components, such as
 - Cable duct
 - Rear panel
 - Euro mains distributor
 - Master switch
 - Socket strip
- Ergonomically optimal adjustment with
 - Keyboard extension with side mouse table
 - Tilttable shelves
 - Pull-out shelves
- Effortless management of obstacles and uneven floors with Ø 125 mm large smooth-running castors
- Positioning with 2 lockable castors
- No marks and scratches on the doors, panels and fittings due to the integrated plastic impact protection

Variability

- Variety of individual models are possible with 12 basic modules with 6 heights and 3 widths
- Multiple applications from simple storage trolley to complex medical trolley
- Simple and quick adjustment without special tools

dacomobile System Components

Technical data



MOB00276

- Modules can be installed at increments of 50 mm
- Smooth-running castors, \varnothing 125 mm, 2 with stopper

Material

Basic rack consists of:

- Extrusions: extruded aluminium
- Stabilizers: die-cast aluminium
- Crosspiece: sheet steel

Worktop:

sheet steel / plastic

Other modules: combination of plastic with sheet steel and laminated sheet

Finish

Metal parts: powder-coated texture

Laminated sheet: fine textured

Plastic parts:

coated texture

Colour

Extrusions, rockers, castors, handles:

RAL 5003 sapphire blue

Other parts:

RAL 7035 light-grey

Maximum static load rating

Per basic rack: 2100 N

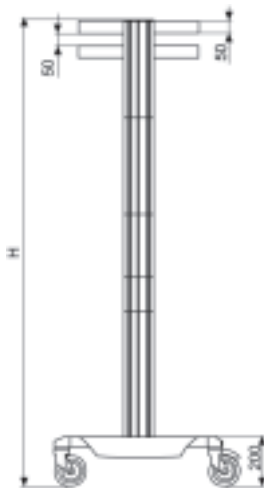
Per castor: 750 N

Surface load per worktop:

up to 800 N

How supplied

Fully assembled



MOB20035

Installation position of the dacomobil elements in 50 mm increments, measured from above.

Area of application - Mobile 19" technology

Ready configured mobile equipment carriers for the most varied applications in the 19" technology area.



MOB00402

dacomobile 19"

Colours

Final digit of order number .2:
RAL 5003, sapphire blue /
RAL 7035 light-grey

How supplied

Part assembled

Supply schedule

- 1 Basic rack
- 1 Cross extrusion
- 2 19" Extrusions
- Installation heights, 30, 33, 36, 39 HU
- 10 Chassis runners

W	H	HU/U	Model	Order no.	UP
	1595	30		01.316.014.2	1 unit
	1730	33		01.316.015.2	1 unit
	1865	36		01.316.016.2	1 unit
	2000	39		01.316.019.2	1 unit



MOB00336

dacomobile Chassis Runner Set For mounting 19" equipment

Material

Sheet steel, zinc passivated

Supply schedule

- 2 Chassis runners
- Mounting material

W	H	D	Model	Order no.	UP
				01.316.026.7	1 pair

Dimensions in mm: W = width, H = height, D = depth, 1 mm = 0.03937 inch, CRS = Cable routing set, ESD = ESD version
HU / U = Standard height units (Unit), UP = Unit of packaging, kg = weight, OU = Office unit
LD = Linking dimension, ● = Standard, ○ = Optional



MOB00395

dacomobile 1515

■ Dimensions

Height, 1515 mm

■ Colours

Final digit of order number .2:
RAL 5003, sapphire blue /
RAL 7035 light-grey

■ Supply schedule

1 Basic rack
1 Worktop with 2 handles
3 Worktops

■ How supplied

Part assembled

W	H	D	w	Model	Order no.	UP
596	1515	700	496		00.106.526.2	1 unit
696	1515	700	596		00.106.626.2	1 unit
863	1515	700	763		00.106.826.2	1 unit



MOB00408

dacomobile: Complete Solution 1

The secure complete solution from one source

- Anti-static castors
- With isolating transformer on request
- Safe cable management with optional cable ducts:
 - On the side, both sides and can be fitted at any time
- With or without integrated master switch

Configuration 1

- Contact and privacy protection with rear panel - easily removeable (can also be screwed tight on request)
- With Euro mains distributor
- With master switch
- Full electrical wiring

■ Dimensions

Height, 1430 mm
Full width, 596 mm
Useful width, 496 mm
Depth, 700 mm

■ Colour combination

RAL 7035, light-grey
RAL 9011, graphite black

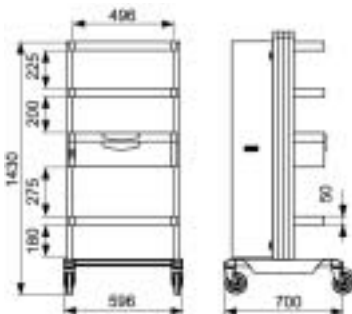
■ Supply schedule

1 Basic rack
2 Worktops
1 Worktop with handle
1 Extension board
1 Drawer with master switch
1 Euro mains distributor
10-way with 5 m connection cable
1 Rear panel

■ How supplied

Fully assembled

W	H	D	Model	Order no.	UP
				00.128.525.1	



MOB00391



MOB00399

PC trolley

Colour combination

Worktop, RAL 7035, light-grey
Extrusions and stabilizer,
RAL 5003, sapphire grey

Castor: Ø 125 mm

Load rating

Basic rack: 2100 N
Per castor: 750 N
Surface load per worktop: 800 N

Material/Finish

Basic rack consists of:
- Extrusions: extruded aluminium
- Stabilizers: die-cast aluminium,
powder-coated. Crosspiece: sheet steel,
powder-coated
- Worktops: sheet steel/plastic

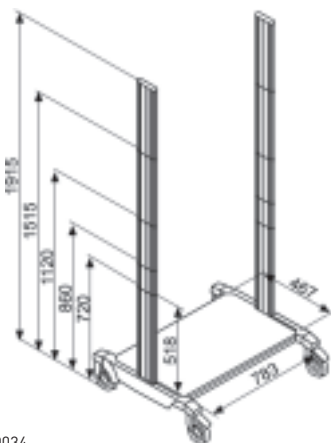
Supply schedule

1 Basic rack
1 Worktop with handle
1 Keyboard extension
1 Printer extension
1 Printer paper tray

How supplied

Assembled

W	w	H	D	d	Model	Order no.	UP
696	596	860	700	490		00.114.628.2	



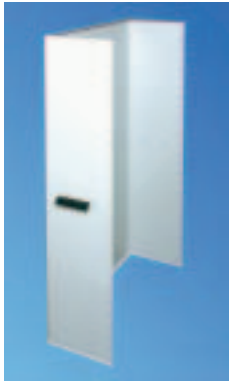
MOB20034

dacomobile Basic frame

Design your individual equipment carrier
as follows:

1. Select a width
2. Select the height of the basic frame
3. Pick out modules
(bear widths in mind)

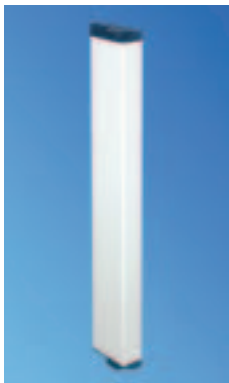
W	H	D	d	Model	Order no.	UP
496	720	467			00.106.505.2	1 unit
596	720	467			00.106.605.2	1 unit
763	720	467			00.106.805.2	1 unit
496	750	467			00.101.505.2	1 unit
596	750	467			00.101.605.2	1 unit
763	750	467			00.101.805.2	1 unit
496	860	467			00.102.505.2	1 unit
596	860	467			00.102.605.2	1 unit
763	860	467			00.102.805.2	1 unit
496	1120	467			00.103.505.2	1 unit
596	1120	467			00.103.605.2	1 unit
763	1120	467			00.103.805.2	1 unit
496	1515	467			00.104.505.2	1 unit
596	1515	467			00.104.605.2	1 unit
763	1515	467			00.104.805.2	1 unit
496	1915	467			00.105.505.2	1 unit
596	1915	467			00.105.605.2	1 unit
763	1915	467			00.105.805.2	1 unit



MOB20015

dacomobile Rear Panel

W	H	D	d	Model	Order no.	UP
496	720				00.117.510.1	1 unit
596	720				00.117.610.1	1 unit
763	720				00.117.810.1	1 unit
496	750				00.117.511.1	1 unit
596	750				00.117.611.1	1 unit
763	750				00.117.811.1	1 unit
496	860				00.117.512.1	1 unit
596	860				00.117.612.1	1 unit
763	860				00.117.812.1	1 unit
496	1120				00.117.513.1	1 unit
596	1120				00.117.613.1	1 unit
763	1120				00.117.813.1	1 unit
496	1515				00.117.514.1	1 unit
596	1515				00.117.614.1	1 unit
763	1515				00.117.814.1	1 unit
496	1915				00.117.515.1	1 unit
596	1915				00.117.615.1	1 unit
763	1915				00.117.815.1	1 unit



MOB20014

dacomobile Cable Duct

Note
Available pre wired with master switch on request!

W	H	D	w	Model	Order no.	UP
	720				00.118.001.2	1 unit
	750				00.118.002.2	1 unit
	860				00.118.003.2	1 unit
	1120				00.118.004.2	1 unit
	1515				00.118.005.2	1 unit
	1915				00.118.006.2	1 unit



MET00333



BIL00150

dacomobile Castor Set

Load rating, 750 N per castor, Ø 125 mm

Colour
RAL 5003 sapphire blue

Supply schedule
2 Smooth-running castors

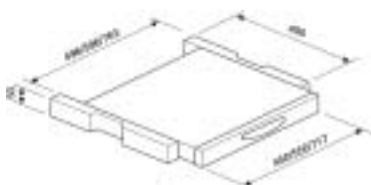
B	H	T	b	Ausführung	Bestell-Nr.	VE
				Standard	00.128.960.2	1 unit
				with snib	00.128.961.2	1 unit



MOB00421

dacomobile Worktop

W	H	D	d	Model	Order no.	UP
496				without handle	00.107.506.1	1 unit
596				without handle	00.117.606.1	1 unit
763				without handle	00.107.806.1	1 unit
496				with 1 handle	00.108.506.1	1 unit
596				with 1 handle	00.108.606.1	1 unit
763				with 1 handle	00.108.806.1	1 unit
496				with 2 handles	00.109.506.1	1 unit
596				with 2 handles	00.109.606.1	1 unit
763				with 2 handles	00.109.806.1	1 unit
496				Crosspiece (for reinforcing)	00.122.500.2	1 unit
596				Crosspiece (for reinforcing)	00.122.600.2	1 unit
763				Crosspiece (for reinforcing)	00.122.800.2	1 unit



MOB00422

dacomobile Extension Board

W	H	D	d	Model	Order no.	UP
496	50	490			00.125.515.2	1 unit
596	50	490			00.125.615.2	1 unit
763	50	490			00.125.815.2	1 unit



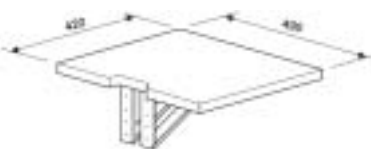
MOB00423

dacomobile Open Shelf

Note

Where required, also order a module for covering

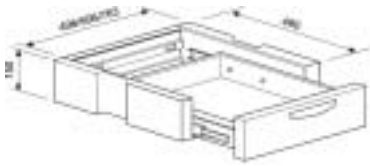
W	H	D	d	Model	Order no.	UP
496	150	490			00.111.500.1	1 unit
596	150	490			00.111.600.1	1 unit
763	150	490			00.111.800.1	1 unit



MOB00425

dacomobile Side Shelf

W	H	D	d	Model	Order no.	UP
420		490			00.101.010.1	1 unit

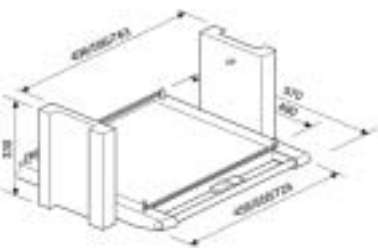


MOB00416

dacomobile Drawer Module, Top Open

Note
Where required, also order a module for covering

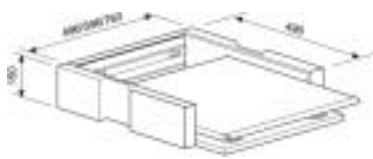
W	H	D	d	Model	Order no.	UP
496				without lock	00.117.505.2	1 unit
596				without lock	00.117.605.2	1 unit
763				without lock	00.117.805.2	1 unit
496				with lock	00.117.506.2	1 unit
596				with lock	00.117.606.2	1 unit
763				with lock	00.117.806.2	1 unit



MOB00417

dacomobile Tilttable Shelf Tilttable shelves for holding equipment

W	H	D	d	Model	Order no.	UP
496					00.116.500.1	1 unit
596					00.116.600.1	1 unit
763					00.116.800.1	1 unit



MOB00418

dacomobile Keyboard Extension, Top Open Including Mouse Table

Note
Where required, also order a module for covering

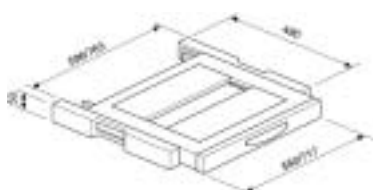
W	H	D	d	Model	Order no.	UP
596				without lock	00.127.605.2	1 unit
763				without lock	00.127.805.2	1 unit
596				with lock	00.127.606.2	1 unit
763				with lock	00.127.806.2	1 unit



MOB00419

dacomobile Printer Shelf

W	H	D	d	Model	Order no.	UP
596					00.112.600.1	1 unit
763					00.112.800.1	1 unit

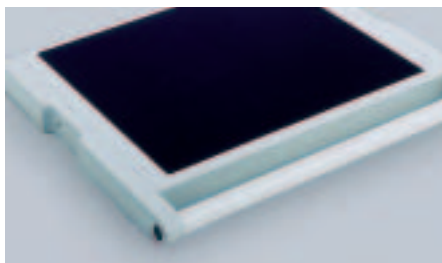


MOB00420

dacomobile Printer Extension

W	H	D	d	Model	Order no.	UP
596					00.125.605.2	1 unit
763					00.125.805.2	1 unit

Dimensions in mm: W = width, H = height, D = depth, 1 mm = 0.03937 inch, CRS = Cable routing set, ESD = ESD version
HU / U = Standard height units (Unit), UP = Unit of packaging, kg = weight, OU = Office unit
LD = Linking dimension



MOB00298

dacomobile Rubber Mat

Standard:
Material

Self-adhesive rubber mat made of open pore sponge rubber

Perbunan

For medical applications

Material

Self-adhesive rubber mat made of closed perbunan rubber

W	H	D	Model	Order no.	UP
496			standard, for worktop	00.100.200.9	1 unit
596			standard, for worktop	00.100.201.9	1 unit
763			standard, for worktop	00.100.203.9	1 unit
596			standard, for keyboard extension	00.100.205.9	1 unit
763			standard, for keyboard extension	00.100.248.9	1 unit
496			perbunan rubber, for worktop	00.100.232.9	1 unit
596			perbunan rubber, for worktop	00.100.233.9	1 unit
763			perbunan rubber, for worktop	00.100.234.9	1 unit
596			perbunan rubber, for keyboard extension	00.100.207.9	1 unit
763			perbunan rubber, for keyboard extension	00.100.247.9	1 unit



MOB00215

dacomobile Mounting Kit, Fixed For 19" doubleprorack Enclosures

- Installation option of 2 different enclosure depths in the basic rack
- Maximum static load rating, 800 N
- Only for dacomobile width 600 mm!
- Only for doubleprorack enclosures
Width 600, depths 500 mm and 600 mm

Supply schedule

1 Mounting kit

Note

More information on doubleprorack:
See Network Special Catalogue, page 3.1

W	H	D	d	Model	Order no.	UP
			500		00.101.030.1	1 unit
			600		00.101.031.1	1 unit



MOB00404



BIL00105



BIL00071



BIL00072



BIL00107

elimobil

Strong points

■ Aesthetics

- Modern and slim look with dynamic shapes
- Extrusions and die-cast rockers in modern design with narrow crosspiece
- Side panels of the shelves dynamically shaped
- Cable ducts are aesthetic and space-savily integrated into the extrusion

■ Functionality

- High EMC safety with separate cable routing of mains and data cables
- Storage space in the crosspiece for socket strips and excess cables
- Space-saving with optional use of surface areas with 2 basic widths* (450 mm and 550 mm)
*useable internal dimension between the extrusions
- Worktop can be loaded up to 300 N (overall load rating of the trolley: up to 1800 N)

■ Variability

- Numerous individual models possible
- All modules can be combined and mounted in the easiest possible way
- Individual configuration with adjustment of the installation components at 25 mm intervals
- Simple and quick adjustment without special tools

■ Convenience

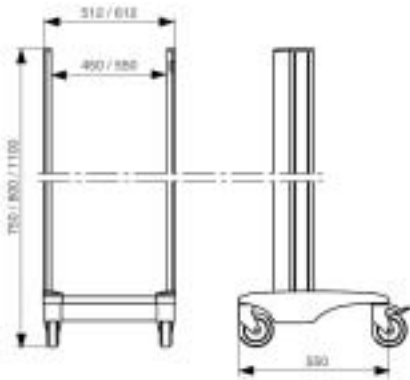
- Easy to clean with coated surfaces
- All surfaces are corrosion-free, impact and scratch-proof and acid and disinfection agent-resistant
- Vibration-free and noiseless transport with special rubber smooth-running castors \varnothing 100 mm



BIL00105



BIL00151



BIL00237

elimobil System Components Technical data

- Modules can be installed at increments of 25 mm

■ Maximum static load rating

- Per basic frame: 1800 N
- Per castor: 750 N
- Surface load per worktop: 300 N

■ Material

Basic rack consists of:

- Extrusions: extruded aluminium
- Rockers: die-cast aluminium
- Crosspiece: sheet steel

Worktops: sheet steel/plastic

Storage shelf, storage tray: sheet steel

Drawer module consisting of:

- Main unit, panels: plastic laminate-coated

■ Finish

- Metal parts: powder-coated texture
- Laminated sheet: fine textured
- Plastic parts: coated texture

■ Colour combinations

Final digit of order number.2:

- Basic frame: RAL 7035 light-grey
- Plastic handles and caps: RAL 5003 sapphire blue
- Castors: RAL 9011, graphite black

Final digit of order number 0.4:

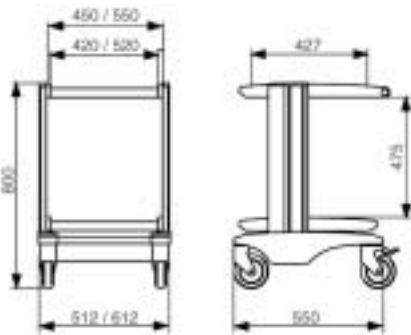
- Basic frame: RAL 7035 light-grey
- Plastic handles and caps: RAL 5018 turquoise blue
- Castors: RAL 9011, graphite black

■ How supplied

Fully assembled



BIL00216



BIL00205

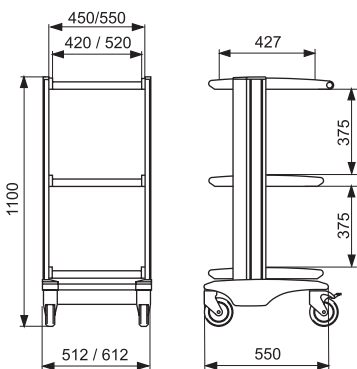
elimobil PC 3

- **Dimensions**
Height, 800 mm
- **Supply schedule**
1 Basic frame
1 Worktop with handle
1 Worktop
- **Material**
Extrusions: aluminium
Worktops: sheet steel/plastic
(for more technical data, see page 24)
- **Dimensions**
Height, 800 or 1100 mm
Overall width, 512 or 612 mm
Useable width, 450 or 550 mm
Depth, 550 mm
- **Colour combinations**
Final digit of order number.2:
RAL 7035 light-grey/
RAL 5003 sapphire blue
Final digit of order number .4:
RAL 7035 light-grey/
RAL 5018 turquoise blue
- **Castors**
RAL 9011, graphite black
- **How supplied**
Fully assembled

W	H	D	d	Model	Order no.	UP
450					00.306.424.X	1 unit
550					00.306.425.X	1 unit



BIL00217



BIL00206

elimobil PC 4

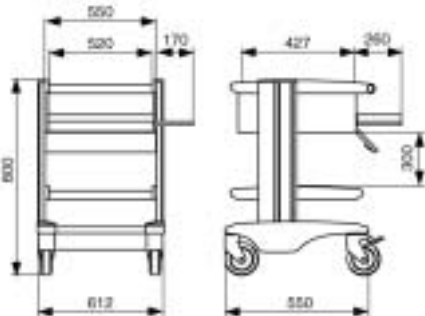
- **Dimensions**
Height, 1,100 mm
- **Supply schedule**
1 Basic frame
1 Worktop with handle
2 Worktops
- **Material**
Extrusions: aluminium
Worktops: sheet steel/plastic
(for more technical data, see page 24)
- **Dimensions**
Height, 800 or 1100 mm
Overall width, 512 or 612 mm
Useable width, 450 or 550 mm
Depth, 550 mm
- **Colour combinations**
Final digit of order number .2:
RAL 7035 light-grey/
RAL 5003 sapphire blue
Final digit of order number .4:
RAL 7035 light-grey/
RAL 5018 turquoise blue
- **Castors**
RAL 9011, graphite black
- **How supplied**
Fully assembled

W	H	D	d	Model	Order no.	UP
450					00.306.428.X	1 unit
550					00.306.429.X	1 unit

Replace .x with the number of the colour combination



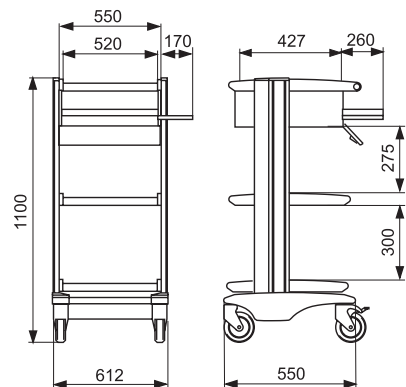
BIL00231



BIL00200



BIL00233



BIL00199

elimobil PC 1

■ Dimensions

Height, 800 mm
Useable width, 550 mm

■ Supply schedule

- 1 Basic frame
- 1 Worktop with handle
- 1 Keyboard extension closed with side mouse shelf, can be pushed out on the right or left
- 1 Worktop

■ Material

Extrusions: aluminium
Worktops: sheet steel/plastic
(for more technical data, see page 24)

■ Dimensions

Height, 800 or 1100 mm
Overall width, 512 or 612 mm
Useable width, 450 or 550 mm
Depth, 550 mm

■ Colour combinations

Final digit of order number .2:
RAL 7035 light-grey/
RAL 5003 sapphire blue
Final digit of order number .4:
RAL 7035 light-grey/
RAL 5018 turquoise blue

■ Castors

RAL 9011, graphite black

■ How supplied

Fully assembled

W	H	D	d	Model	Order no.	UP
550					00.306.441.X	1 unit

elimobil PC 2

■ Dimensions

Height, 1,100 mm
Useable width, 550 mm

■ Supply schedule

- 1 Basic frame
- 1 Worktop with handle
- 1 Keyboard extension closed with side mouse shelf, can be pushed out on the right or left
- 2 Worktops

■ Material

Extrusions: aluminium
Worktops: sheet steel/plastic
(for more technical data, see page 24)

■ Dimensions

Height, 800 or 1100 mm
Overall width, 512 or 612 mm
Useable width, 450 or 550 mm
Depth, 550 mm

■ Colour combinations

Final digit of order number .2:
RAL 7035 light-grey/
RAL 5003 sapphire blue
Final digit of order number .4:
RAL 7035 light-grey/
RAL 5018 turquoise blue

■ Castors

RAL 9011, graphite black

■ How supplied

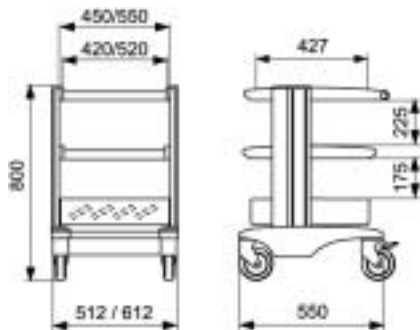
Fully assembled

W	H	D	d	Model	Order no.	UP
550					00.306.445.X	1 unit

Replace .x with the number of the colour combination



BIL00224



BIL00207

elimobil Lab 3

- Dimensions**
Height, 800 mm
- Supply schedule**
1 Basic frame
1 Worktop with handle
1 Worktop
1 Storage tray
- Material**
Extrusions: aluminium
Worktops: sheet steel/plastic
(for more technical data, see page 24)

- Dimensions**
Height, 800 or 1100 mm
Overall width, 512 or 612 mm
Useable width, 450 or 550 mm
Depth, 550 mm
- Colour combinations**
Final digit of order number .2:
RAL 7035 light-grey/
RAL 5003 sapphire blue
Final digit of order number .4:
RAL 7035 light-grey/
RAL 5018 turquoise blue

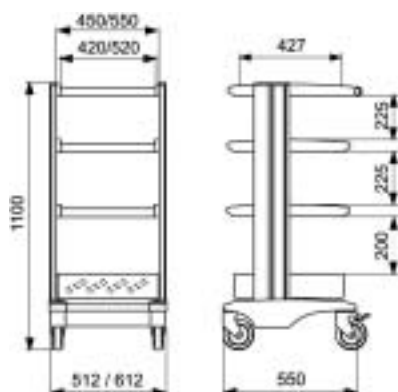
- Castors**
RAL 9011, graphite black

- How supplied**
Fully assembled

W	H	D	d	Model	Order no.	UP
450					00.306.432.X	1 unit
550					00.306.433.X	1 unit



BIL00225



BIL00208

elimobil Lab 4

- Dimensions**
Height, 1,100 mm
- Supply schedule**
1 Basic frame
1 Worktop with handle
2 Worktops
1 Storage tray
- Material**
Extrusions: aluminium
Worktops: sheet steel/plastic
(for more technical data, see page 24)

- Dimensions**
Height, 800 or 1100 mm
Overall width, 512 or 612 mm
Useable width, 450 or 550 mm
Depth, 550 mm
- Colour combinations**
Final digit of order number .2:
RAL 7035 light-grey/
RAL 5003 sapphire blue
Final digit of order number .4:
RAL 7035 light-grey/
RAL 5018 turquoise blue

- Castors**
RAL 9011, graphite black

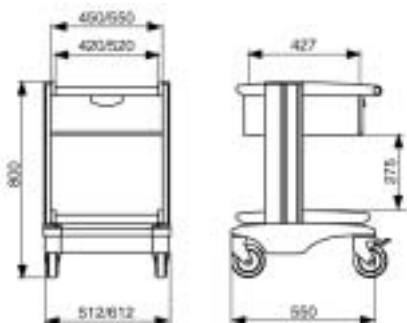
- How supplied**
Fully assembled

W	H	D	d	Model	Order no.	UP
450					00.306.436.X	1 unit
550					00.306.437.X	1 unit

Replace .x with the number of the colour combination



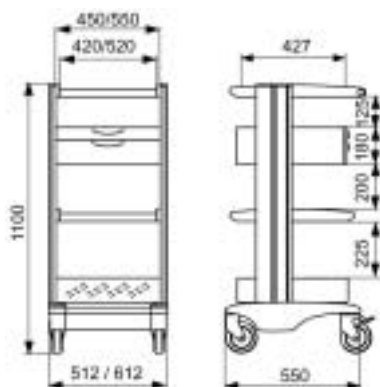
BIL00227



BIL00209



BIL00229



BIL00100

elimobil Lab 5

- Dimensions**
Height, 800 mm
- Supply schedule**
1 Basic frame
1 Worktop with handle
1 Drawer module
Division: 3 OU
1 Worktop
- Material**
Extrusions: aluminium
Worktops: sheet steel/plastic
(for more technical data, see page 24)

- Dimensions**
Height, 800 or 1100 mm
Overall width, 512 or 612 mm
Useable width, 450 or 550 mm
Depth, 550 mm
- Colour combinations**
Final digit of order number .2:
RAL 7035 light-grey/
RAL 5003 sapphire blue
Final digit of order number .4:
RAL 7035 light-grey/
RAL 5018 turquoise blue

- Castors**
RAL 9011, graphite black

- How supplied**
Fully assembled

W	H	D	d	Model	Order no.	UP
450					00.306.448.X	1 unit
550					00.306.449.X	1 unit

elimobil Lab 7

- Dimensions**
Height, 1,100 mm
- Supply schedule**
1 Basic frame
1 Worktop with handle
1 Drawer module
Division: 1+2 OU
1 Worktop
1 Storage tray
- Material**
Extrusions: aluminium
Worktops: sheet steel/plastic
(for more technical data, see page 24)

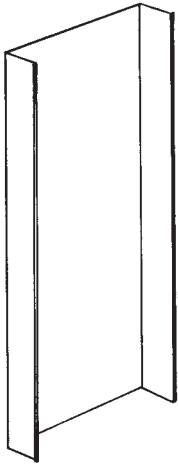
- Dimensions**
Height, 800 or 1100 mm
Overall width, 512 or 612 mm
Useable width, 450 or 550 mm
Depth, 550 mm
- Colour combinations**
Final digit of order number .2:
RAL 7035 light-grey/
RAL 5003 sapphire blue
Final digit of order number .4:
RAL 7035 light-grey/
RAL 5018 turquoise blue

- Castors**
RAL 9011, graphite black

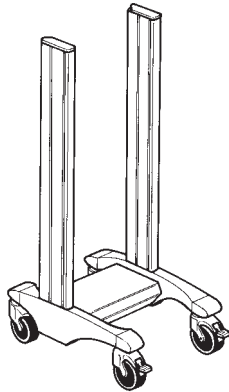
- How supplied**
Fully assembled

W	H	D	d	Model	Order no.	UP
450					00.306.541.X	1 unit
550					00.306.542.X	1 unit

Replace .x with the number of the colour combination



BIL00139



BIL00134

elimobil Basic Frame

W	H	D	Model	Order no.	UP
450	750			00.306.621.X	1 unit
450	800			00.306.631.X	1 unit
450	1100			00.306.641.X	1 unit
550	750			00.306.622.X	1 unit
550	800			00.306.632.X	1 unit
550	1100			00.306.642.X	1 unit

elimobil Rear Panel

W	H	D	Model	Order no.	UP
450	750			00.306.850.1	1 unit
450	800			00.306.851.1	1 unit
450	1100			00.306.852.1	1 unit
550	750			00.306.853.1	1 unit
550	800			00.306.854.1	1 unit
550	1100			00.306.855.1	1 unit



BIL00241

elimobil Worktop Without handle

W	H	D	Model	Order no.	UP
450				00.306.761.1	1 unit
550				00.306.762.1	1 unit



BIL00239

elimobil Worktop With handle

W	H	D	Model	Order no.	UP
450				00.306.751.1	1 unit
550				00.306.752.1	1 unit

* Useable surface



BIL00240

elimobil Storage Shelf Fixed

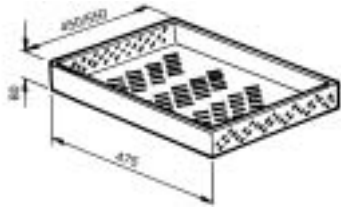
W	H	D	Model	Order no.	UP
450				00.306.773.1	1 unit
550				00.306.774.1	1 unit



BIL00238

elimobil Storage Shelf Tilt

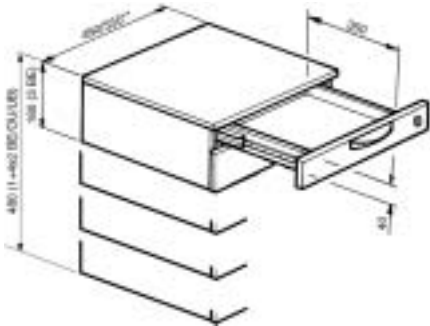
W	H	D	Model	Order no.	UP
450				00.306.775.1	1 unit
550				00.306.776.1	1 unit



BIL00131

elimobil Storage Tray

W	H	D	Model	Order no.	UP
450				00.306.781.1	1 unit
550				00.306.782.1	1 unit



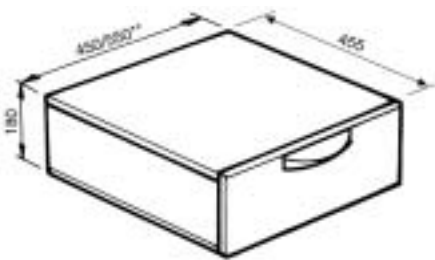
BIL00242

elimobil Drawer Module

W	H	D	Model	Order no.	UP
450			1+2 OU	00.306.710.X	1 unit
550			1+2 OU	00.306.711.X	1 unit
450			3 OU	00.306.712.X	1 unit
550			3 OU	00.306.713.X	1 unit

Drawer module 1+2 with locking system

** External dimension same as useable surface



BIL00243

Schubfachmodul 3 BE

elimobil Keyboard Extension Closed

W	H	D	Model	Order no.	UP
550				00.306.720.X	1 unit



BIL00246

elimobil Keyboard Extension Open

W	H	D	Model	Order no.	UP
450				00.306.725.X	1 unit
550				00.306.730.X	1 unit

** External dimension same as useable surface

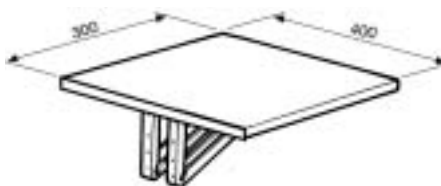


BIL00245

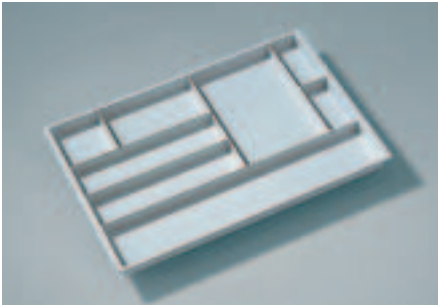
elimobil side shelves right and left

W	H	D	Model	Order no.	UP
			right	00.306.754.X	1 unit
			left	00.306.755.X	1 unit

BIL00244



Replace .x with the number of the colour combination
 .2 = RAL 7035 / RAL 5003
 .4 = RAL 7035/RAL 5018



BIL00034

elimobil Small Parts Tray

Dimensions
Height, 1 OU

Material/Colour
Plastic
RAL 7035 light-grey

Supply schedule
1 Small parts tray

W	H	D	d	Model	Order no.	UP
450					00.306.930.1	1 unit
550					-	1 unit



BIL00335

elimobil Drawer Divider

Dimensions
For heights, 2 OU or 3 OU

Material/Colour
Plastic

Supply schedule
1 Drawer divider

W	H	D	d	Model	Order no.	UP
450					00.306.935.1	1 unit
550					00.306.936.1	1 unit



BIL00151

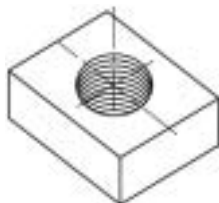
elimobil Castor Set

Load capacity
750 N per castor Ø 100 mm

Colour
RAL 9011, graphite black

Supply schedule
2 Smooth-running castors

W	H	D	d	Model	Order no.	UP
				Standard	00.306.960.9	1 unit
				with snib	00.306.961.9	1 unit



MOB00248

elimobil Sliding Nut, M6

- For mounting components or accessories on the outside of the extrusion

Supply schedule
20 sliding nuts

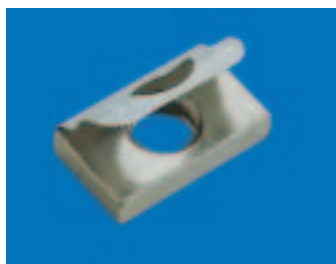
W	H	D	d	Model	Order no.	UP
					00.306.970.8	1 unit

Replace .x with the number of the colour combination

.2 = RAL 7035/RAL 5003

.4 = RAL 7035/RAL 5018

Accessories suitable for metramobil, dacomobil und elimobil



MEC00060

Spring Nuts, M5 and M6

- For clipping into T-slots at any position
- For mounting chassis rails and other components

Material
Steel, St 1203,
spring band, Nirosta 4310

Supply schedule
100 Spring nuts

W	H	D	Model	Order no.	UP
			M5	01.350.405.9	50 units
			M6	01.350.431.9	50 units



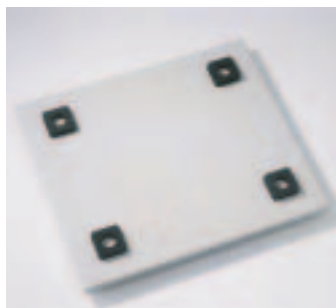
MOB20013

Universal Arm

- 3-Joint with manual clamp
- With cable or hose holders

Supply schedule
1 Universal arm incl. adapter

W	H	D	Model	Order no.	UP
				00.306.950.1	1 unit



MOB00334

Anti-Slide Securing

- Self-adhesive
- Also for vibration absorption

Material
Sponge rubber

Colour
black

Supply schedule
4 unit

W	H	D	Model	Order no.	UP
				00.600.970.0	4 units



MOB00340

Anti-Static Castor Set
Load capacity: 100 kg; Ø 125 mm

Colour
RAL 9011 graphite black

Supply schedule
2 Smooth-running castors

W	H	D	Model	Order no.	UP
			without stopper	00.128.970.9	1 unit
			with stopper	00.128.971.9	1 unit

Dimensions in mm: W = width, H = height, D = depth, 1 mm = 0.03937 inch, CRS = Cable routing set, ESD = ESD version
HU / U = Standard height units (Unit), UP = Unit of packaging, kg = weight, OU = Office unit
LD = Linking dimension, ● = Standard, ○ = Optional

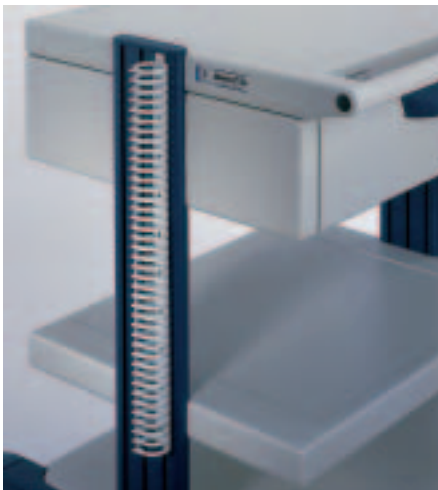


MOB00336

Hook-On Block For holding test pins

- Material**
Plastic
- Colour**
RAL 9011, graphite black
- Supply schedule**
1 Hook-on block
Mounting material

W	H	D	Model	Order no.	UP
				00.701.090.9	1 unit



MOB00331

Cable Routing Set Mounting on the extrusions

- Material**
Plastic
- Colour**
RAL 7035 light-grey
- Supply schedule**
1 Cable routing set
Mounting material

W	H	D	Model	Order no.	UP
				00.101.001.9	1 unit



MOB00230

Isolating Transformer

- Technical data**
920 VA Model
Input 115/230 V, output 230 V
1500 VA Model
Input 230 V, output 230 V
- Supply schedule**
1 Isolating transformer
1 5 m connection cable with protective contact plug
- How supplied**
Flat packed kit
- Note**
Leakage detectors and other isolating transformers are available on request!
- Tested in accordance with IEC/EN 61558-2-4 and voltage sustaining capability, leakage current and tracking distances in accordance with EN 60601-1**
- Protective conductor integrated**
- Additional output, e.g. for cold light source**
- Dimensions**
Width, 350 mm
Depth, 150 mm
Height, 180 mm
- Approvals**
CE Med

W	H	D	b	Model	Order no.	UP
				920VA	00.100.811.9	
				1500VA	00.100.810.9	



BIL00073

Monitor Platform

- Maximum static surface load
250 N
- Monitor shelf
W 320 x D 300
- Swivel limit, 2 x 200°

Finish
RAL 7035 light-grey

Supply schedule
1 Monitor platform

W	H	D	Model	Order no.	UP
320		300		01.350.767.1	1 unit



MOB00338

Cable Winder

For up to 5 m of cable

Material
Plastic

Colour
RAL 7035 light-grey

Supply schedule
2 Cable winders
Mounting material

W	H	D	Model	Order no.	UP
				00.306.957.1	1 unit



MOB00042

Gas Bottle Holder

Bottle holder for 5 L or 10 L bottles up to max. Ø 150 mm

Finish
RAL 7035 light-grey

Supply schedule
1 Bottle holder
1 Retaining belt
Mounting material

W	H	D	Model	Order no.	UP
				00.100.075.1	1 unit



MOB00232

Standard Rail Length, 460 mm

Material
High-grade steel

Supply schedule
1 Standard rail
Mounting material

W	H	D	Model	Order no.	UP
			Dacomobil	00.128.016.1	1 unit
			elimobil	00.306.940.1	1 unit



MOB00339

IV-Pole

- Can only be used in combination with standard rails, BN 00.128.016.1
- 4 Hooks
- Chrome-plated
- Height adjustable
- Width, approx. 110 cm

Load rating
2 kg per hook

Supply schedule
1 Serum holder including mounting (without standard rails)

W	H	D	Model	Order no.	UP
				00.306.955.0	1 unit

servomobil
Strong points in detail



LAB00055



LAB00052

Robust

- High load capacity and safe transport of heavy objects with welded frames
- Obstacles are easily overcome with the four ø 125 mm swivel castors
- 2 Castors can be locked in place

Safe

- Your transported equipment is protected by:
 - A slide-resistant coating
 - All-round surface edge
- Easy use of the drawers in fully loaded state with guide rails

Anti-static

- Anti-static version as required:
 - With special handles
 - Anti-static surface coating
 - Anti-static castors



LAB00048



LAB00046



LAB00045



LAB00058

servomobil 806

Transport 1 configuration with fixed shelves

- **Standard model**
Powder-coated, RAL 5018, turquoise blue
- **Anti-static model**
With anti-static surface coating and anti-static castors
Powder-coated,
Daco grey (similar to RAL 7032)
- **Technical data**
Load rating 1800 N
Weight 26 kg
- **How supplied**
Part assembled

W	H	D	Model	Order no.	UP
660	806	495	standard	00.002.232.4	1 unit
660	806	495	adjustable base	00.005.232.4	1 unit
660	806	495	without centre shelf	00.001.232.4	1 unit
660	806	495	anti-static	00.002.224.3	1 unit



LAB00058

servomobil 806

Transport 2 configuration with lockable drawer

- **Standard model**
Powder-coated, RAL 5018, turquoise blue
- **Anti-static model**
With anti-static surface coating and anti-static castors
Powder-coated, Daco grey
(similar to RAL 7032)
- **How supplied**
Part assembled

W	H	D	Model	Order no.	UP
660	806	495	standard	00.006.232.4	1 unit
660	806	495	anti-static	00.006.224.3	1 unit



Want to get to know us better? We are always just a click away.

It really is almost totally unimportant where you happen to be on the face of the earth! If you want to let yourself be impressed by the Knürr Group range of product and services, numerous platforms are always available at your fingertips. Internationally represented in 32 countries world-wide and with domestic companies and overseas affiliates, we are strategically best positioned for you and your requirements.

On the Internet at **www.knuerr.com** in addition to current news and updates, you will find our entire product range, including technical data, press releases and background information and specialist articles. Knürr product experts are always present at numerous national and international trade fairs to answer your questions and provide you with specialist advice.

If you want to implement your workstation systems with the Knürr Group, we're ready and waiting to come to you!

www.knuerr.com



World-wide
... and close
to the
customer



Australia

Tel. +61 (0) 2 96 66 - 48 66
Fax +61 (0) 2 96 66 - 48 68



Austria

Tel. +43 (0) 1 - 9 70 22 - 0
Fax +43 (0) 1 - 9 70 22 - 29



Belgium

Tel. +32 (0) 3 - 450 7777
Fax +31 (0) 76 - 542 1015



Brazil

Tel. +55 (0) 15 - 3263 - 2444
Fax +55 (0) 15 - 3263 - 1024



China

Tel. +86 (0) 10 62 38 58 28
Fax +86 (0) 10 62 38 58 29



Czech Republic

Tel. +420 (0) 596 152 392
Fax +420 (0) 596 152 112



Denmark

Tel. +45 () 44 85 04 85
Fax +45 () 44 94 99 89



Finland

Tel. +358 (0) 19 - 8711 1
Fax +358 (0) 19 - 8711 500



France

Tel. +33 (0) 1 43 77 85 85
Fax +33 (0) 1 43 39 02 10



Greece

Tel. +30 2310 - 69 11 90
Fax +30 2310 - 69 11 80



Hong Kong

Tel. +852 28 51 22 11
Fax +852 28 51 20 60



Hungary

Tel. +36 (0) 1 4 21 - 30 08
Fax +36 (0) 1 4 21 - 30 00



India

Tel. +91 (0) 20 - 7 12 01 21-4
Fax +91 (0) 20 - 7 12 03 16



Israel

Tel. +972 (0) 9 - 892 44 44
Fax +972 (0) 9 - 892 44 55



Italy

Tel. +390 (0) 2 95 34 30 80
Fax +390 (0) 2 95 34 31 04



Japan

Tel. +81 (0) 4 26 - 56 - 58 11
Fax +81 (0) 4 26 - 56 - 58 08



Netherlands

Tel. +31 (0) 76 - 54 22 92 2
Fax +31 (0) 76 - 54 21 01 5



Norway

Tel. +47 () 64 83 84 40
Fax +47 () 64 83 84 50



Poland

Tel. +48 (22) 6 76 94 62
Fax +48 (22) 6 76 98 10



Portugal

Tel. +351 (21) 3 22 41 63
Fax +351 (21) 3 22 41 69



Russia UNI

Tel. +7 (095) - 780 95 55
Fax +7 (095) - 780 95 56



Russia ICS

Tel. +7 (095) - 755 68 19
Fax +7 (095) - 913 99 87



Russia OCS

Tel. +7 (095) - 995 25 75
Tel. +7 (812) - 324 28 70



Singapore

Tel. +65 () 67 73 - 1583
Fax +65 () 67 73 - 1582



Slovakia

Tel. +421 (0) 2 - 64 28 78 81
Fax +421 (0) 2 - 64 28 78 91



Spain

Tel. +34 91 - 8 89 89 61
Fax +34 91 - 8 89 84 92



Sweden

Tel. +46 (0) 8 - 58 74 27 70
Fax +46 (0) 8 - 58 74 28 88



Sweden LBW

Tel. +46 (0) 8 - 58 41 08 80
Fax +46 (0) 8 - 58 02 67 69



Switzerland

Tel. +41 (0) 1 8 06 54 54
Fax +41 (0) 1 8 06 54 64



Taiwan

Tel. +886 (0) 2 - 2276 - 10 19
Fax +886 (0) 2 - 2279 - 88 83



United Arab Emirates

Tel. +971 (0) 4 - 335 29 95
Fax +971 (0) 4 - 334 99 51



United Kingdom

Tel. +44 (0) 1480 49 61 25
Fax +44 (0) 1480 49 63 73



USA

Tel. +1 (805) 5 26 - 77 33
Fax +1 (805) 5 84 - 83 71

Offices



Hamburg

Tel. +49 (0) 41 01 / 40 01-0
Fax +49 (0) 41 01 / 40 01-99

Cologne

Tel. +49 (0) 22 36 / 89 00-0
Fax +49 (0) 22 36 / 89 00-99

Leipzig

Tel. +49 (0) 3 41 / 2 45 15-0
Fax +49 (0) 3 41 / 2 45 15-99

Munich

Tel. +49 (0) 89 - 4 20 04-200
Fax +49 (0) 89 - 4 20 04-199

Stuttgart

Tel. +49 (0) 71 52 / 93 67-0
Fax +49 (0) 71 52 / 93 67-99

Knürr

Technical Furniture GmbH

Hauptstraße 35
94439 Münchsdorf • Germany
Phone: +49 (0) 87 23 - 28 0
Fax: +49 (0) 87 23 - 28 138
E-mail: furniture@knuerr.com

www.knuerr.com

... just a click away!



knürr
environments for electronics

Knürr AG

Global Headquarters

Mariakirchener Straße 38
94424 Arnstorf • Germany
Tel. +49 (0) 87 23 / 27 - 0
Fax +49 (0) 87 23 / 27 - 154
www.knuerr.com