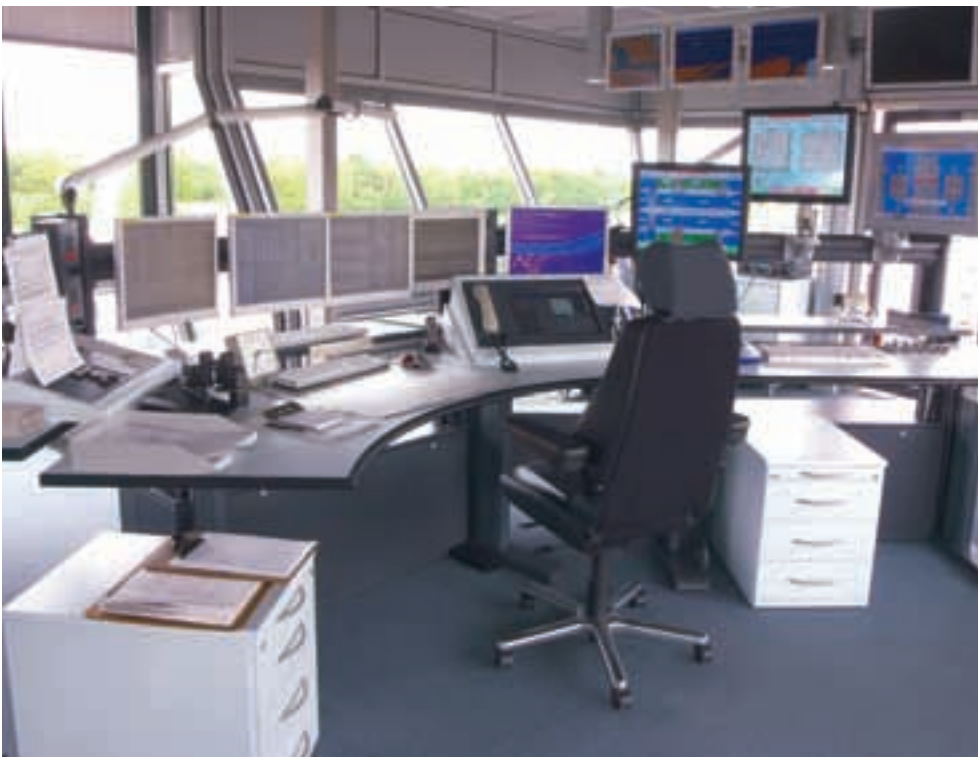


# Ergonomic Flat Screen Supports



The increased demand for visualization in many control consoles and control rooms means that the number of monitors at workstations in particular is also constantly increasing. Along with the right desk, appropriate and ergonomic monitor connections and arrangements are therefore also important elements of the setup. The Knürr brand has been representative of ergonomics at the monitor workstation for over 25 years.

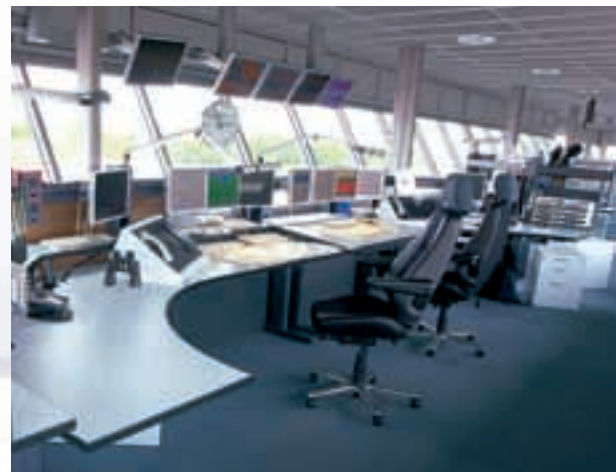
Ergonomically positioned monitors prevent health-hazardous bad posture. The right viewing angle to the monitor ensures an ideal view and back-friendly sitting position at the same time. Studies, tests and surveys, etc., show that workstations that are set up the right ergonomic way reduce the number of sick days.



Knürr's universally applicable supports are not only suitable for flat screens – they are also ideal for ergonomically positioning workstation lamps and speaker systems, or communication equipment on control station desks.



Source: DLR









DAC20087

Typ A



DAC20085

Typ B



DAC20086

Typ C

## Flat Screen Supports

- For mounting on Knürr double functional rails
- Flat screen holders for fixing with VESA adapters, 75/100mm
- Swivel arm depth adjustment or gas pressure spring arms for height adjustment
- Fast swap-out with rail adapters
- Any horizontal positioning on double functional rails

### Supply schedule

- 1 flat screen support
- Type E, F and G with pre-mounted height adjustment plate
- Fixing material

### How supplied

Flat-packed kit

### Dimensions

- VESA adaption 75/100mm
- Dimensions (see drawings)

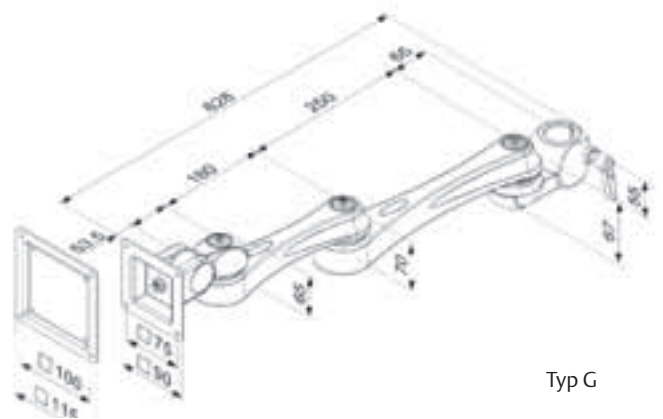
### Material

- Swivel arm – die-cast aluminum
- Adapter plates – sheet steel
- Gas pressure spring arm covers – plastic

### Finish

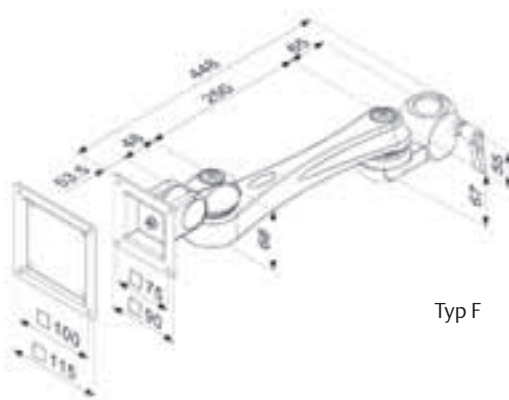
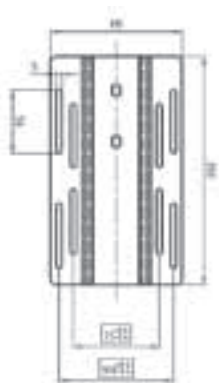
Metal parts – powder-coated, RAL 9006, white aluminum

Model	Height adjustment plate	Load-bearing capacity	Order no.	UP
Type A, short		12 kg	<b>01.316.206.1</b>	1 unit
Type B, tiltable		3-8 kg	<b>01.316.207.1</b>	1 unit
Type C, tilt/swivel		3-8 kg	<b>01.316.208.1</b>	1 unit
Type D, short		12 kg	<b>01.316.210.9</b>	1 unit
Type E, medium	x	10 kg	<b>01.316.211.9</b>	1 unit
Type F, long	x	10 kg	<b>01.316.212.9</b>	1 unit
Type G, double joint	x	8 kg	<b>01.316.213.1</b>	1 unit

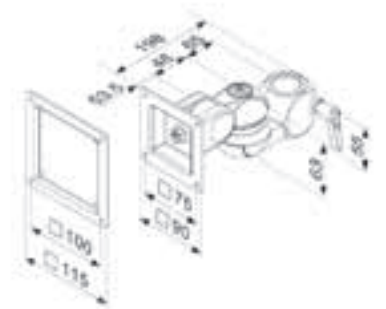


Typ G

Height adjustment plate



Typ F





CIC20031

Typ D



CIC20032

Typ E



CIC20033

Typ F



CIC20034

Typ G



DAC20163



DAC20164

## Tube Support for TFT Swivel Arm

- Slender design
- Enables easy adapter height setting in any position
- For single or double connection parts (see page 6)
- Freely combinable – one or two row setup
- Up to 32 kg load capacity

### Workstation mounting

- With desk clamp or threaded connection, both with plastic underlay to protect the worktop
- For worktop thickness 15 mm – 40 mm

### Supply schedule

- 1 tube adapter with base plate
- 1 clamp or threaded connection
- Fixing material

### How supplied

Flat-packed kit

### Dimensions

- Diameter 30 mm
- Height 400 mm or 700 mm

### Material

- Aluminum tube
- Base – die-cast aluminum

### Finish

Metal parts – powder-coated, RAL 9006, white aluminum

### Note

The worktop must be drilled through for mounting with threaded connection

Height	Type of fixing	Order no.	UP
400	Desk clamp	<b>01.316.231.9</b>	1 Stk
700	Desk clamp	<b>01.316.232.9</b>	1 Stk
400	Threaded connection	<b>01.316.233.9</b>	1 Stk
700	Threaded connection	<b>01.316.234.9</b>	1 Stk







KON20086



ERG00042

## Connection Parts for TFT Tube Supports

- For TFT tube support with 30 mm diameter
- Single or double adapter
- Enables easy adapter height setting in any position

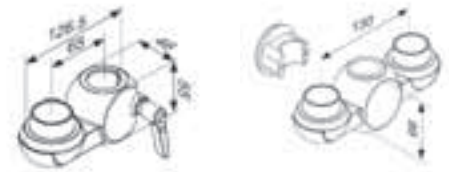
**Supply schedule**  
1 connection part – single or doubled

**How supplied**  
Flat-packed kit

**Dimensions**  
- Connector part axis-center distance;  
single 65 mm  
- Connector part axis-center distance;  
double 130 mm

**Material**  
Die-cast aluminum

**Finish**  
Metal parts – powder-coated, RAL 9006,  
white aluminum



Model	Order no.	UP
Connection part, single	01.316.224.9	1 unit
Connection part, double	01.316.227.9	1 unit



DAC20159



DAC20160

## Twin Adapter

- Rail system for two flat screens up to 22"
- Rotatable on 6 axes
- Tool-less quick change system
- Integrated adjustable gas pressure spring for easy height adjustment
- Practical cable routing elements
- With leveling base, desk clamp or threaded connection
- Up to 15 kg load capacity

**Supply schedule**  
- 1 twin adapter  
- 1 base plate, desk clamp or threaded desk connection  
- Mounting material

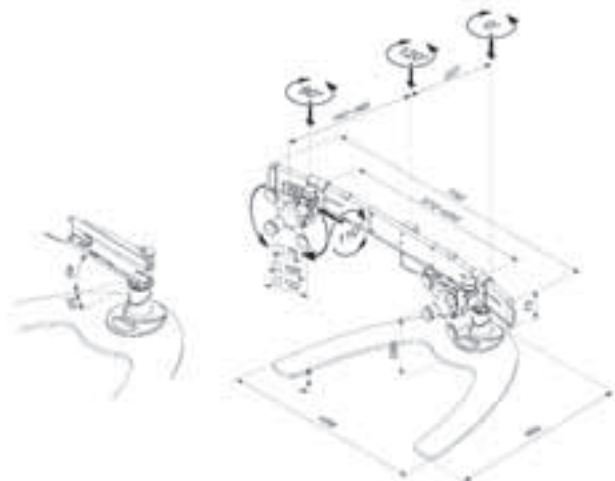
**How supplied**  
Flat-packed kit

**Dimensions**  
- VESA adaption 75/100mm  
- Total width 752mm  
- Monitor adjusting range – horizontal, 370 - 650mm  
- Height 390mm  
- Stabilizer arm adjusting angle 65°

**Material**  
- Sheet steel leveling base 8 mm  
- Aluminum extrusion cross rail  
- VESA adapter, base adapter – die-cast aluminum  
- Stabilizer housing – die-cast aluminum and plastic

**Finish**  
Metal parts – powder-coated, RAL 9006,  
white aluminum

Model	Order no.	UP
Twin adapter with leveling base	01.316.235.9	1 unit
Twin adapter with desk clamp	01.316.236.9	1 unit
Twin adapter with threaded desk connection	01.316.237.9	1 unit





DAC20028

## Functional Rails with Workstation Superstructure

- Rail system with desk clamp
- For Elicon worktops 30 mm, or Dacobas control console corner worktops 20 mm
- For flat screens up to 22"
- Can be upgraded at any time
- Rails can be mounted on two heights
- For TFT adapter and organizational accessories
- Up to 48 kg load capacity

- **Supply schedule**
  - 1 double functional rail
  - 1 stay tube set
  - Mounting material

- **How supplied**  
Flat-packed kit

- **Dimensions**
  - Various widths
  - Height 323mm
  - Tube diameter 40mm

- **Material**
  - Aluminum extrusion double functional rail
  - Die-cast aluminum desk clamps
  - Steel tube

- **Finish**  
Metal parts – powder-coated, RAL 9006, white aluminum

Desk system	W	Model	Bestell-Nr.	VE
Elicon	660		04.303.090.9	1 unit
Elicon	1060		04.303.091.9	1 unit
Elicon	1460		04.303.092.9	1 unit
Dacobas	1400	90°-trapezoid corner	01.315.096.9	1 unit



ERG00022

## Functional Rails with Workstation Superstructure electric height-adjustable

- Simply convenient – monitor level height adjustment at the touch of a button
- Upgradeable on workstations with space for monitor level
- For flat screens up to 22"
- Straight rails (ideal for several operators) or circular segments for ergonomic cockpit shape (perfect for one operator)
- With cable chain for safe cable routing
- Stylish switch unit with hinge function for mounting under the front worktop edge
- Optional horizontal cable comb (see page 12)
- Rails can be mounted at different heights for ergonomically optimum adjustment to conditions
- Up to 80 kg load capacity

- **Supply schedule**
  - One or two row double functional rails – straight or circular segment
  - 1 electric-adjustable vertical column set with up/down switch
  - Cable chain
  - Mounting material

- **How supplied**  
Flat-packed kit

- **Dimensions**
  - Setting range (height setting) 200mm
  - One-row column height 650 mm
  - Rails – straight or with 2500 mm radius

- **Material**
  - Aluminum extrusion double functional rail
  - Plastic cable chain

- **Finish**
  - Metal parts – powder-coated, RAL 9006, white aluminum
  - Cable chain – black

W	Version	Number of monitors	Order no.	UP
1750	Straight, one-row	4	01.316.240.9	1 unit
1950	Straight, one-row	5	01.316.241.9	1 unit
2082	Circular segment, one-row	4	01.316.242.9	1 unit
2573	Circular segment, one-row	5	01.316.243.9	1 unit



DAC20162



DAC20173

## TFT Adapter for 8 Monitors

- Rail system with base plate for stable standing
- Rails in two rows for four monitors each
- Straight rails (ideal for several operators) or circular segments for ergonomic cockpit shape (perfect for one operator)
- Can be upgraded at any time
- Up to 96 kg load capacity

### Supply schedule

- 1 base plate
- 2 vertical extrusions
- 2 double functional rails – straight or circular segments
- 8 TFT Adapters, type A (see page 4)
- Mounting material

### How supplied

Flat-packed kit

### Dimensions

- Rail width 1800 mm
- Rails – straight or with 1300 mm radius
- Total height 750mm
- Base plate W x D x T 800 x 450 x 10mm

### Material

- Aluminum extrusion double functional rails and vertical extrusions
- Sheet steel base plate 10 mm
- Plastic caps

### Finish

- Metal parts – powder-coated, RAL 9006, white aluminum

Model	Order no.	UP
8-way adapter with straight rails	<b>01.316.247.9</b>	1 unit
8-way adapter with circular segment rails	<b>01.316.248.9</b>	1 unit



CiCon8489

## Multi-Functional Extrusions for Knürr Products

- For mounting between the Knürr Products vertical extrusions
- Sturdy and stable Knürr TFT Adapter connection (see pages 4-5)

### Note

TFT adapters are not included in the supply schedule, please order separately

### How supplied

Flat-packed kit

### Material

- Extruded aluminum extrusions
- Sheet steel mounting plates

### Finish

- Metal parts – powder-coated, RAL 9006, white aluminum

### Supply schedule: 2 Functional rails; Mounting material

Width	Model	Order no.	UP
596	Dacomobile	<b>00.101.008.9</b>	1 unit
763	Dacomobile	<b>00.101.009.9</b>	1 unit
450	Elimobil	<b>00.306.980.9</b>	1 unit
550	Elimobil	<b>00.306.981.9</b>	1 unit
500	Metramobil	<b>00.701.055.9</b>	1 unit
1064	CiCon	<b>01.315.078.9</b>	1 unit

### Supply schedule: 1 Functional rail; Mounting material

Width	Model	Order no.	UP
800	Elicon	<b>04.208.200.9</b>	1 unit
1200	Elicon	<b>04.208.201.9</b>	1 unit
1600	Elicon	<b>04.208.202.9</b>	1 unit
1800	Elicon	<b>04.208.203.9</b>	1 unit
2000	Elicon	<b>04.208.204.9</b>	1 unit
570	Dacobas	<b>01.316.200.9</b>	1 unit
630	Dacobas	<b>01.315.070.9</b>	1 unit
800	Dacobas	<b>01.316.203.9</b>	1 unit
830	Dacobas	<b>01.315.071.9</b>	1 unit
1030	Dacobas	<b>01.315.072.9</b>	1 unit
1140	Dacobas	<b>01.316.201.9</b>	1 unit
1200	Dacobas	<b>01.316.204.9</b>	1 unit
1230	Dacobas	<b>01.315.073.9</b>	1 unit
1430	Dacobas	<b>01.315.074.9</b>	1 unit
1600	Dacobas	<b>01.316.205.9</b>	1 unit
1630	Dacobas	<b>01.315.075.9</b>	1 unit
1710	Dacobas	<b>01.316.202.9</b>	1 unit
1830	Dacobas	<b>01.315.076.9</b>	1 unit
2030	Dacobas	<b>01.315.077.9</b>	1 unit



MOB20061

**Note**  
Two identical functional rails are required for mounting flat screen holders!





## Wall Mounting Bracket Tiltable

- For big flat screens 32" to 61"
- Easy mounting
- More viewing comfort – effortless tilting, prevents bothersome reflections
- Security lock against unauthorized flat screen removal
- Up to 79 kg load capacity

### Supply schedule

- 1 mounting rail
- 2 mounting brackets
- Mounting material

### How supplied

Flat-packed kit

### Dimensions

- Rail width 847 mm
- Tilt angle +15° / -5°
- Wall distance 89mm

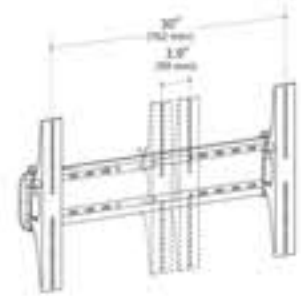
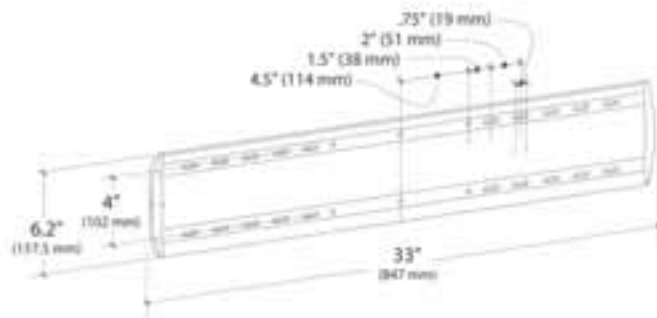
### Material

- Aluminum extrusion rail
- Sheet steel mounting bracket
- Plastic caps

### Finish

Metal parts – powder-coated, RAL 9006, white aluminum

Model	Order no.	UP
Wall Mounting Bracket, tiltable	06.111.101.0	1 unit



## Ceiling Bracket Telescopic

- For big flat screens – 37" to 65"
- More viewing comfort – effortless tilting, prevents bothersome reflections
- Up to 80 kg load capacity

### Supply schedule

- 1 ceiling bracket
- 1 flat screen holder, tiltable
- Mounting material

### How supplied

Flat-packed kit

### Dimensions

- Telescopic from 850 mm to 1150 mm
- Tilt angle up to 20°
- Total width 831mm
- Depth 68mm

### Material

Sheet steel

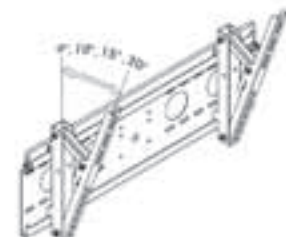
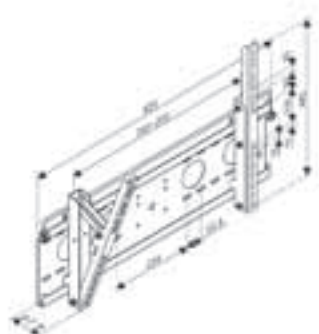
### Finish

Metal parts – powder-coated, black

ERG00038



Model	Order no.	UP
Ceiling Bracket, Telescopic	01.316.238.9	1 unit





MOB00331

## Wiring Duct

- Plastic wiring duct
- Simply stick together
- Flexible
- Temperature-resistant up to +160 °C
- Self-extinguishing in acc. with UL 94 V0

**Supply schedule**  
1 wiring duct

**How supplied**  
Flat-packed kit

**Dimensions**  
- Height 20 mm or 40 mm  
- Length 500 mm

**Material**  
PVC

**Finish**  
Light gray or black

Height	Color	Mounting material	Order no.	UP
40mm	Light gray	x	<b>00.101.001.9</b>	1 unit
40mm	Light gray		<b>01.350.543.9</b>	1 unit
20mm	Light gray		<b>01.350.542.9</b>	1 unit
40mm	Black		<b>01.350.545.9</b>	1 unit



ELM00025

## Cable Routing Ring

- For tidy and orderly cable management
- Open version, no threading
- Mounting on the T-slots of the vertical extrusions
- Installation position freely selectable

**Supply schedule**  
- 5 cable routing rings  
- Mounting material

**How supplied**  
Flat-packed kit

**Dimensions**  
54 x 118 mm

**Material**  
PA 6, GF 10, gray, UL 94-V1

**Finish**  
Gray

Model	Order no.	UP
54x118	<b>1.312.207.9</b>	1 unit



ELM00025

## Velcro® Strip with Plastic Eyelet

- For fixing non-standard components
- For bundling cables

**Supply schedule**  
- 20 Velcro® strips

**How supplied**  
Flat-packed kit

**Dimensions**  
- Width 16 mm  
- Length 300 mm

**Material**  
Polypropylene/polyamide

**Finish**  
Black

Model	Order no.	UP
16x300	<b>01.240.550.9</b>	1 unit



DAC20175

## VESA Adapter Plates

- For adapting VESA 100/200 and VESA 200/200 threaded connections to VESA 75 and VESA 100
- Single adapter for monitors up to 22" or 12 kg
- Double adapter for monitors up to 32" on 2 Vesa 75/100 holders

- **Supply schedule**
  - 1 adapter plate
  - Mounting material

- **How supplied**  
Flat-packed kit

- **Material**  
Sheet steel

- **Finish**  
Powder-coated, RAL 9006, white aluminum



DAC20176

Model	Width	Height	Order no.	UP
single	220mm	220mm	<b>01.316.244.9</b>	1 unit
double	501mm	250mm	<b>01.316.245.9</b>	1 unit



ERG00040

## VESA Fast Change Plate

- Quick, tool-less monitor swap-out via spring balancer
- For adapting VESA 75/100 threaded connections
- With height adjustment holes
- For monitors up to 22"
- Low installation depth – only 15 mm

- **Supply schedule**
  - 1 adapter plate
  - Mounting material

- **How supplied**  
Flat-packed kit

- **Dimensions**
  - Width 130 mm
  - Height 170 mm
  - Depth 15 mm

- **Material**  
Sheet steel

- **Finish**  
Powder-coated, RAL 9006, white aluminum

Model	Order no.	UP
Fast change plate	<b>01.316.239.9</b>	1 unit



CIC20020

## Lamp Adapter for Functional Rail

The Knürr accessory range workstation lamps are delivered as standard with a universal adapter. This adapter is perfect for optimum to the Knürr functional rail.

- **Supply schedule**
  - 1 adapter
  - Fixing material

- **How supplied**  
Flat-packed kit

- **Material**  
Sheet steel and aluminum swivel part

- **Finish**  
Metal parts – powder-coated, RAL 9006, white aluminum

Model	Order no.	UP
Lamp Adapter for Functional Rail	<b>01.316.225.9</b>	1 unit





DAC20170

## Perforated Rear Panel

- For rear mounting on the multi-functional rails or flat screen adaption cross extrusions
- As privacy screen or cable protection
- Both vertical and horizontal mounting possible

- Supply schedule**
  - 1 perforated rear panel
  - Mounting material

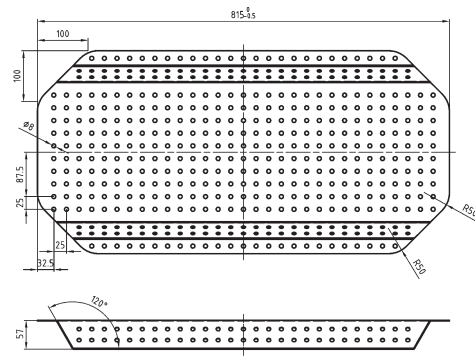
- How supplied**
  - Flat-packed kit

- Dimensions**
  - Width 400 mm
  - Height 815 mm
  - Depth 57 mm

- Material**
  - Sheet steel

- Finish**
  - Powder-coated, RAL 9006, white aluminum

Model	Order no.	UP
Perforated Rear Panel	<b>01.316.209.9</b>	1 unit



ERG00021

## Cable Duct for Electric-Adjustable Multi-Functional Rails

- For rear mounting on the multi-functional rails (cable routing at the front)
- Horizontal cable duct for straight rails and circular segment rails

- Supply schedule**
  - 1 cable duct
  - Mounting material

- How supplied**
  - Flat-packed kit

- Dimensions**
  - Useable height 25 mm
  - Useable depth 80 mm

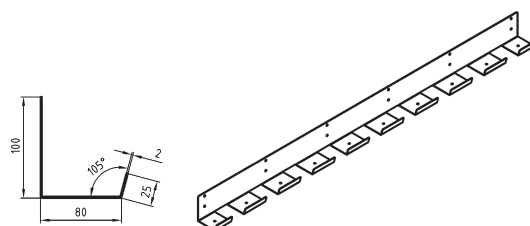
- Material**
  - Sheet steel

- Finish**
  - Powder-coated, RAL 9006, white aluminum

Model	Width	Order no.	UP
Straight	1750	<b>04.300.410.9</b>	1 unit
Straight	1950	<b>04.300.411.9</b>	1 unit
Circular segment	2082	<b>04.300.412.9</b>	1 unit
Circular segment	2573	<b>04.300.413.9</b>	1 unit



ERG00022



## Accessories for Multi-Functional Rails

- Organizational elements, compatible design for Knürr multi-functional rails  
 - 430 mm console – also perfect as telephone stand

**Supply schedule**  
 - 1 cable duct  
 - Mounting material

**How supplied**  
 Flat-packed kit

**Material**  
 Sheet steel

**Finish**  
 Powder-coated, RAL 9006, white aluminum

Model	Order no.	UP
Tray shelf DIN A4	04.300.400.9	1 unit
Box with note pad	04.303.103.9	1 unit
Tray shelf DIN A3	04.300.401.9	1 unit
Tray console 430mm	04.303.106.9	1 unit
CD rack	04.300.402.9	1 unit
Magazine file DIN A4	04.303.110.9	1 unit



DAC20082

Tray shelf



DAC20089

Box with note pad



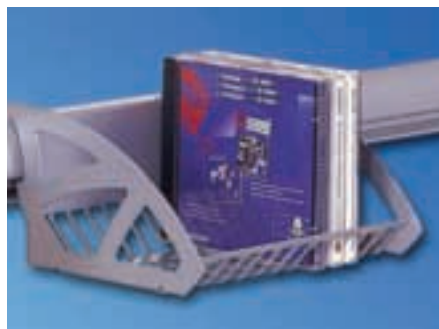
DAC00600

Tray shelf DIN A3



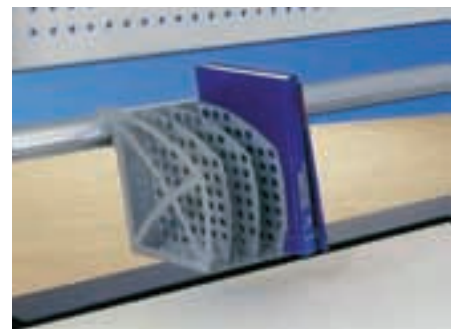
DAC20091

Tray console 430mm



DAC20083

CD Rack



DAC20090

Magazine file DIN A4



VHP21063

## Modular LCD Monitor Wall

- Increasing information density easily organized on several displays
  - More display space – resolution stays the same
  - High resolution increases legibility – character size stays the same
  - Increased system security – other displays can accept data
  - Mix of video and computer data – either via direct connection or video split computer
- Diverse sizes and monitor combinations are possible on request**

### LCD monitor wall areas of application:

- TV studios, news studios, satellite monitoring
- Process display in control rooms, control and measuring stations
- Network Operation Centers (NOCs)
- Data centers – computer monitoring
- Operation control centers – police, fire department, rescue services
- Municipal traffic monitoring, security systems, video monitoring
- Airport and train station information terminals
- Reception areas

### Practical benefits

- Low installation depth/lower space requirement – good fit for small control rooms
- The monitor wall can be positioned in the room, regardless of what the building's walls are made of
- Optional rear panel covers provide optimum protection for cables and plugs
- A mixture of different display sizes is also possible
- Professional cable management – integrated cable management in the rack side panels for professional installation
- Optional base cabinets create space for computers, power supplies and documentation
- The base cabinets provide spacious cable routing to the side panels of the monitor wall rack



VHP21051

## Monitor Wall Complete with 4 Flat Screens 40"

- Flat screen mounting between the monitor wall vertical extrusions
- Stable and secure connection
- Monitors can swivel; tilt angle +15°/-5°
- Base cabinet provides space for computers, all kinds of devices, and documentation
- Perforated rear panel with cover provides privacy screen and dust protection, and increases safety/security

### Supply schedule

- 2 Elicon® range side panels; with integrated vertical cable routing and base stabilizers at the front and rear for the highest possible stability
- 2 crosspieces for fixing the TFT adapter; with integrated horizontal cable routing
- 4 TFT wall mounting brackets; tiltable (see page 9)
- 4 40" LCDs (Brand: Subject to manufacturer and technical changes due to short product cycles on the display market.)
- Network cable and VGA cable for 4 LCD monitors
- 1 base cabinet, consisting of 2 sliding door cabinets with full length worktop with post-forming edge
- Perforated rear panel, removable, consisting of 3 segments
- Mounting material

### How supplied

Flat-packed kit, partially assembled

### Dimensions

- Height 2,064 mm
- Total width 2,085 mm
- Clear width 1,975 mm
- Depth 330 mm
- Depth with base stabilizers 1,110 mm
- Base cabinet:
  - Height 835 mm
  - Width 1,975 mm
  - Worktop depth 440 mm
  - Shelves' useable depth 360 mm

### Material

- Side panels – extruded aluminum extrusions with aluminum die-cast stabilizers and head pieces
- Sheet steel cable duct covers, rolled
- Crosspieces – sheet steel
- TFT wall mounting bracket – extruded aluminum extrusion with sheet steel monitor adapters
- Perforated rear panel – sheet steel
- Base cabinet – high pressure plastic laminate, melamine-coated

### Finish

- Side panels – powder-coated, RAL 7021, dark gray
- Crosspieces, TFT wall mounting bracket and perforated rear panel – powder-coated, RAL 9006, white aluminum
- Base cabinet: main unit – melamine-coated, dark gray; cover and sliding doors – melamine-coated in beech finish



VHP21053

Model	Order no.	UP
Monitor Wall Complete 2x2 40"	04.102.014.9	1 unit





VHP21067

## Monitor Wall Rack for 2x2 Flat Screens – 40”

- Easy flat screen mounting between the monitor wall vertical extrusions
- Stable connection
- Monitor tilt angle +15° / -5°

### Further sizes and variations possible on request

#### Supply schedule

- 2 Elicon® range side panels; with integrated vertical cable routing and base stabilizers at the front and rear for the highest possible stability
- 2 crosspieces for fixing the TFT adapter; with integrated horizontal cable routing
- 4 TFT wall mounting brackets; tiltable (see page 9)
- Mounting material

#### How supplied

Flat-packed kit, partially assembled

#### Dimensions

- Height 2,064 mm
- Total width 2,085 mm
- Clear width 1,975 mm
- Depth – 330 mm
- Depth with base stabilizers 1,110 mm

#### Material

- Side panels – extruded aluminum extrusions with aluminum die-cast stabilizers and head pieces
- Sheet steel cable duct covers, rolled
- Crosspieces – sheet steel
- TFT wall mounting bracket – extruded aluminum extrusion with sheet steel monitor adapters

#### Finish

Metal parts – powder-coated, RAL 9006, white aluminum

Model	Order no.	UP
Monitor Wall Rack for 2x2 40"	04.102.015.9	1 unit



## ICT Mobile

- For system and maintenance work in control centers
- Can be used, for example, as individual workstation, hot desk, test station, emergency workstation

#### Supply schedule

- 1 Metramobil basic rack
- 1 worktop with handle
- 1 keyboard extension
- 1 anti-slip mat set
- 1 cable management set, consisting of:
  - Di-Strip socket strip 4-piece, without switch
  - Strain relief
  - 2 cable reel elements
- 1 TFT swivel arm, E type
- 1 19" flat screen

#### How supplied

Flat pack, partially assembled

#### Dimensions

- For flat screens up to 22"
- Height 1,406/900 mm
- Width 550 mm; depth 580 mm

#### Finish

- Base unit, drawers, worktop – RAL 7016, anthracite gray
- Vertical extrusions – RAL 9006, white aluminum
- Handle – RAL 9011, graphite black

Model	Order no.	UP
ICT Mobile	00.711.005.9	1 unit



## LCD Mobile

- For 40" LCD monitors
- Maximum flexibility – effortless moving
- Trolley load capacity – up to 210 kg
- Vertical cable duct for safe monitor cable routing

#### Supply schedule

1 Dacomobile with flat screen holder

#### Note

Monitor is not included in the supply schedule

#### How supplied

Flat-packed kit

#### Dimensions

- For big flat screens 37" to 65"
- Telescopic from 850 mm to 1150 mm
- Tilt angle up to 20°
- Total width 831 mm
- Depth 68mm

#### Finish

- Extrusions, rockers, handle, cross extrusion – RAL 7021, dark gray
- Vertical cable duct – RAL 7035, light gray
- Monitor holder – silver

Model	Order no.	UP
LCD Mobile	00.128.528.9	1 unit

Emerson Network Power is the global technology leader in numerous areas, and a recognized expert in helping to secure business-critical processes, and therefore contributes to “business-critical continuity.” A whole range of the most varied applications, including the tried and tested Knürr rack system solutions and the accompanying thermal management, ensures the required network stability with maximum technological adaptability at the same time.

Knürr system solutions in the world of information and network technology are part of an adaptive architecture from Emerson Network Power, which flexibly adapts to changes concerning security, high-density and all associated capacities. Companies are provided sustainable and long-term benefits from the high IT availability, operative flexibility and impressive reduction in investment and operating costs.

The Knürr Technical Furniture business unit develops, produces and distributes technical workstation systems for control consoles, operation control centers and electronics labs, as well as mobile equipment carriers for the automotive and medical technology industries.

Knürr AG is recognized around the world as one of the leading developers, manufacturers and distributors of rack and enclosure platforms in the indoor and outdoor area, including all relevant active/passive components in 19” construction and the technologies associated with it. Knürr is part of Emerson Network Power.

Knürr is certified in accordance with EN ISO 9001 and EN ISO 14001, and its quality management continuously guarantees the highest standards in all areas of the company.

#### Emerson Network Power

The global leader in enabling business-critical continuity

- |                    |                                |                              |                             |
|--------------------|--------------------------------|------------------------------|-----------------------------|
| ■ AC Power Systems | ■ Embedded Power               | ■ Power Switching & Controls | ■ Site Monitoring           |
| ■ Connectivity     | ■ Integrated Cabinet Solutions | ■ Precision Cooling          | ■ Surge & Signal Protection |
| ■ DC Power Systems | ■ Outside Plant                | ■ Services                   | ■ Rack & Enclosure Systems  |

Knürr logo, Emerson Network Power and the Emerson Network Power logo are trademarks and service marks of Emerson Electric Co. ©2008 Emerson Electric Co.

#### Knürr AG Global Headquarters

Mariakirchener Straße 38  
94424 Arnstorf • Germany  
Tel. +49 (0) 87 23 / 27 - 0  
Fax +49 (0) 87 23 / 27 - 154  
info@knuerr.com

#### Knürr Technical Furniture GmbH Business Unit

Hauptstraße 35  
94439 Münchsdorf • Germany  
Tel. +49 (0) 87 23 / 28 - 0  
Fax +49 (0) 87 23 / 28 - 138  
furniture@knuerr.com

#### Local contacts, please visit:

[www.knuerr.com](http://www.knuerr.com)  
[www.emerson.com](http://www.emerson.com)  
[www.technical-furniture.com](http://www.technical-furniture.com)

While every precaution has been taken to ensure accuracy and completeness in this literature, Knürr AG assumes no responsibility, and disclaims all liability for damage resulting from use of this information or for any errors or omissions.

©2008 Knürr AG. All rights reserved throughout the world. Specifications subject to change without notice.

All names referred to are trademarks or registered trademarks of their respective owners.

®Knürr and the Knürr logo are registered trademarks of Knürr AG.

#### EmersonNetworkPower.com